

**TOORX**  
PROFESSIONAL LINE

# INSTRUCTION



# FWX5800

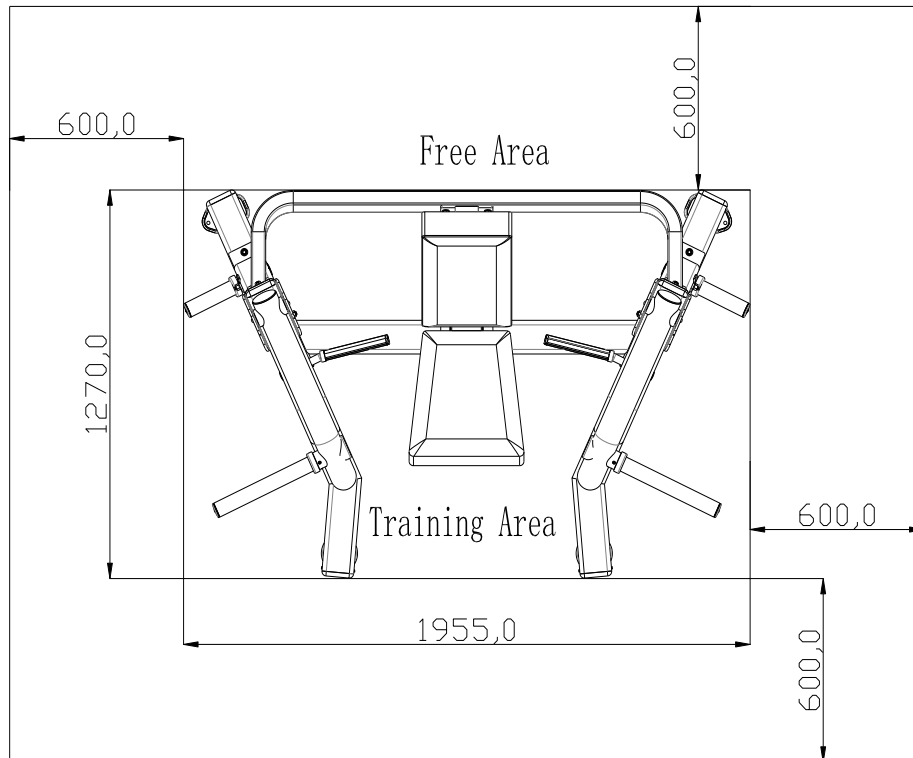


Cod : GRLDTOORXFWX5800

Rev : 01

Ed : 10/19

## Training Area and Free Area



## Specifications

Class: S

Maximum Wt. Capacity: 130 kg/286 IBS

Maximum User Weight: 135 kg/297 IBS

Product Total Surface: 1955\*1270

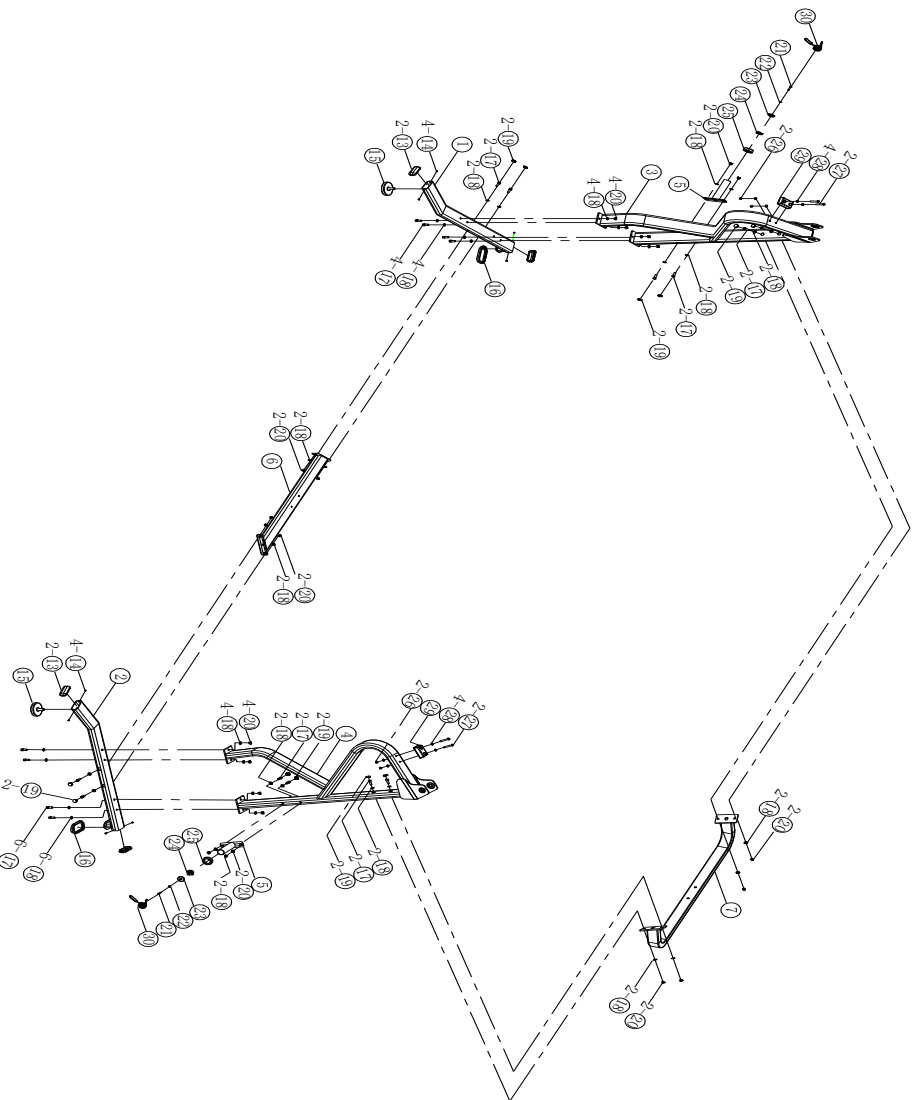
Product Total Mass: 164 kg/360 IBS

*Exploded diagram*



Exploded Picture

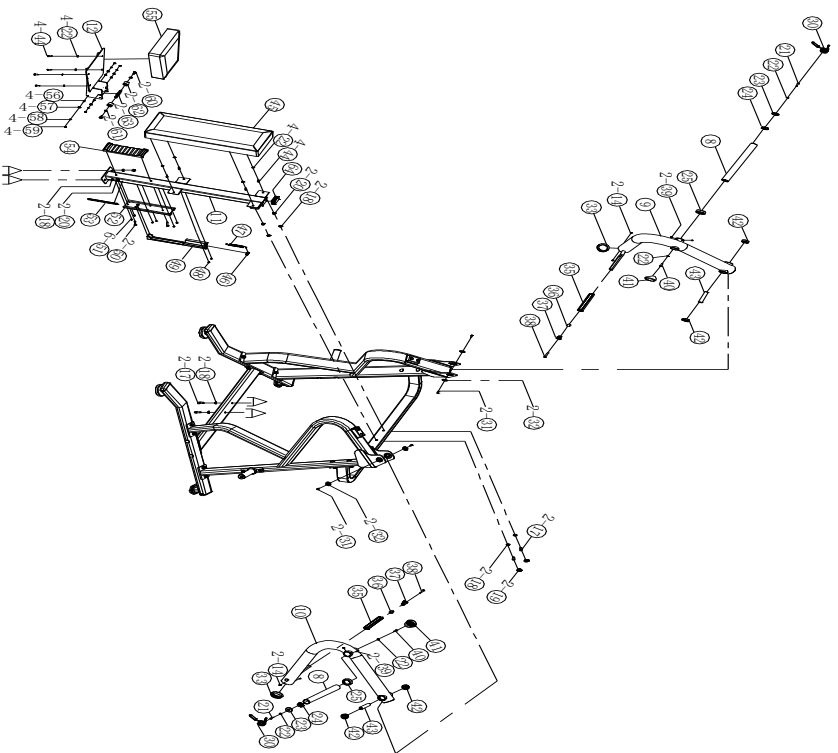
# Step. 1



NO.	Drawing Number	Name	Specification	Qty
①		Left ground frame		1
②		Right ground frame		1
③		Right stand frame		1
④		Left stand frame		1
⑤		film hangers		2
⑥		Bottom connection frame		1
⑦		Rear connection frame		1
⑬		Fanguansai	50-110	4
⑭		Self tapping	M4.2*10	8
⑮		four feet and one foot pad		2
⑯		Door mat		2
⑰		socket head cap screw	M12*30	20
⑱		Washer	M12	40
⑲		casing cap		12
⑳		Looser nut	M12	20
㉑		Inner six angle semicircle head screw	M8*35	2
㉒		Washer	M8	2
㉓		Pipe plug		2
㉔		Sun flower	∅46*M8	2
㉕		Door mat		2
㉖		Looser nut	M10	4
㉗		Inner six angle semicircle head screw	M10*75	4
㉘		Washer	M10	8
㉙		Flat shock cushion		2
㉚		Electroplating spring		2

## Illustration step

# Step. 2



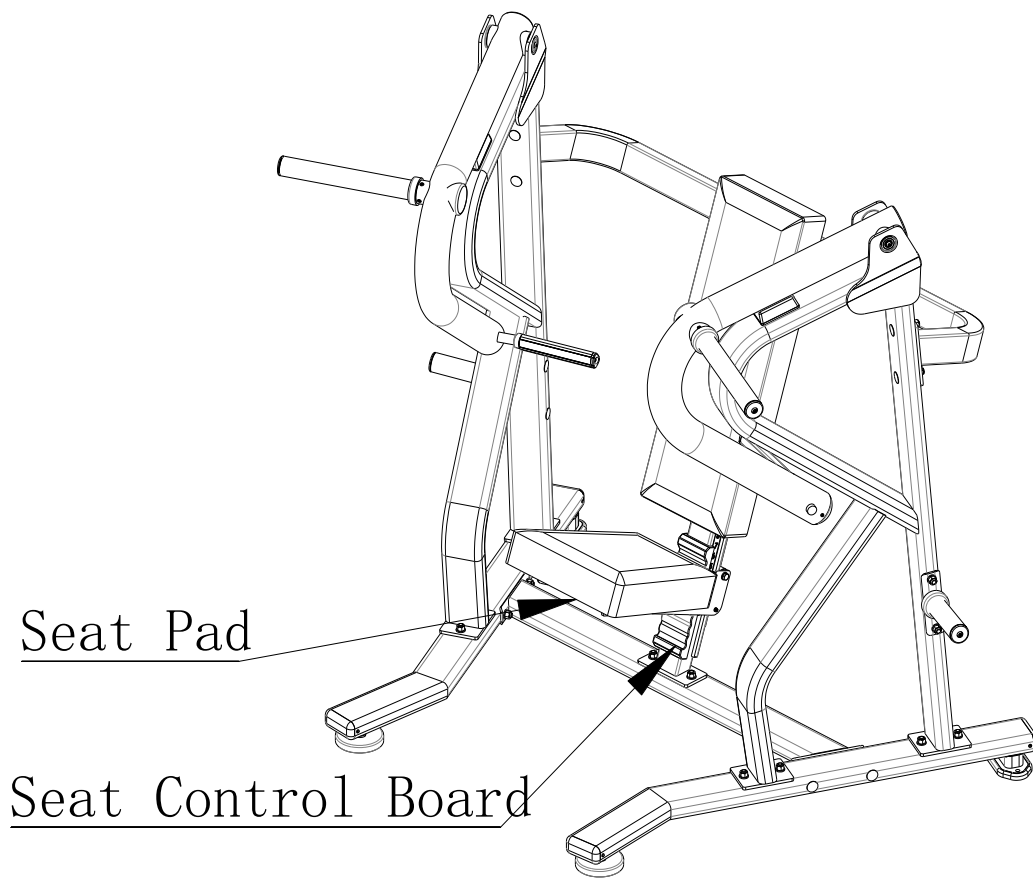
No.	Drawing Number	Name	Specification	Qty	No.	Drawing Number	Name	Specification	Qty
17		socket head cap screw	M12*30	4	8		Long hanger rod		2
18		Washer	M12	8	9		Right arm force frame		1
19		casing cap		2	10		Left arm force frame		1
20		Looser nut	M12	4	11		Back pad		1
44		Inner six angle semi-circle head screw	M8*25	8	12		Cushion welding group		1
45		Cushion		1	21		Inner six angle semi-circle head screw	M8*35	2
46		Welding rod	Ø20*36.5	1	22		Washer	M8	12
47		Large spring		1	23		Pipe plug		2
48		Cross recessed countersunk head screws	M5*8	1	24		Sun flower	Ø46*18	2
49		Outer spring sheet metal		1	25		Door mat		2
50		Inner six angle semi-circle head screw	M8*60	2	30		Electroplating spring		2
51		Cross recessed countersunk head screws	M5*12	6	14		Self tapping	M4.2*10	4
52		Come back		1	31		Inner six angle semi-circle head screw	M8*20	4
53		Digital sticker		1	32		Bearing cover		4
54		Adjusting plate		1	33		casing cap	Ø89	2
55		Cushion		1	35		Maintenance free aluminum hand		2
56		Cross recessed countersunk head screws	M5*16	4	36		The aluminum plug		2
57		625 small bearing		4	37		The aluminum plug		2
58		Washer	M5	4	38		Inner six angle semi-circle head screw	M8*55	2
59		Looser nut	M5	4	39		The top wire	M8*6	4
60		External six party screw	M10*20	2	40		Inner six angle semi-circle head screw	M8*30	2
61		Washer	M10	2	41		casing cap		2
62		Black nylon roller		2	42		Deep groove ball bearing	6205	4
63		Active axis	Ø20*102	2	43		Shaft		2
64		casing cap	50*80	1					

## Adjustment Instructions

### Adjustment Instructions of Functional Trainer

#### Adjustment of Seat

Hold the cushion and adjust to the right position





GARLANDO SPA  
Via Regione Piemonte, 32 - Zona Industriale D1  
15068 - Pozzolo Formigaro (AL) - Italy  
[www.toorx.it](http://www.toorx.it) - [info@toorx.it](mailto:info@toorx.it)