

TOORX
PROFESSIONAL LINE

INSTRUCTION



WBX3800

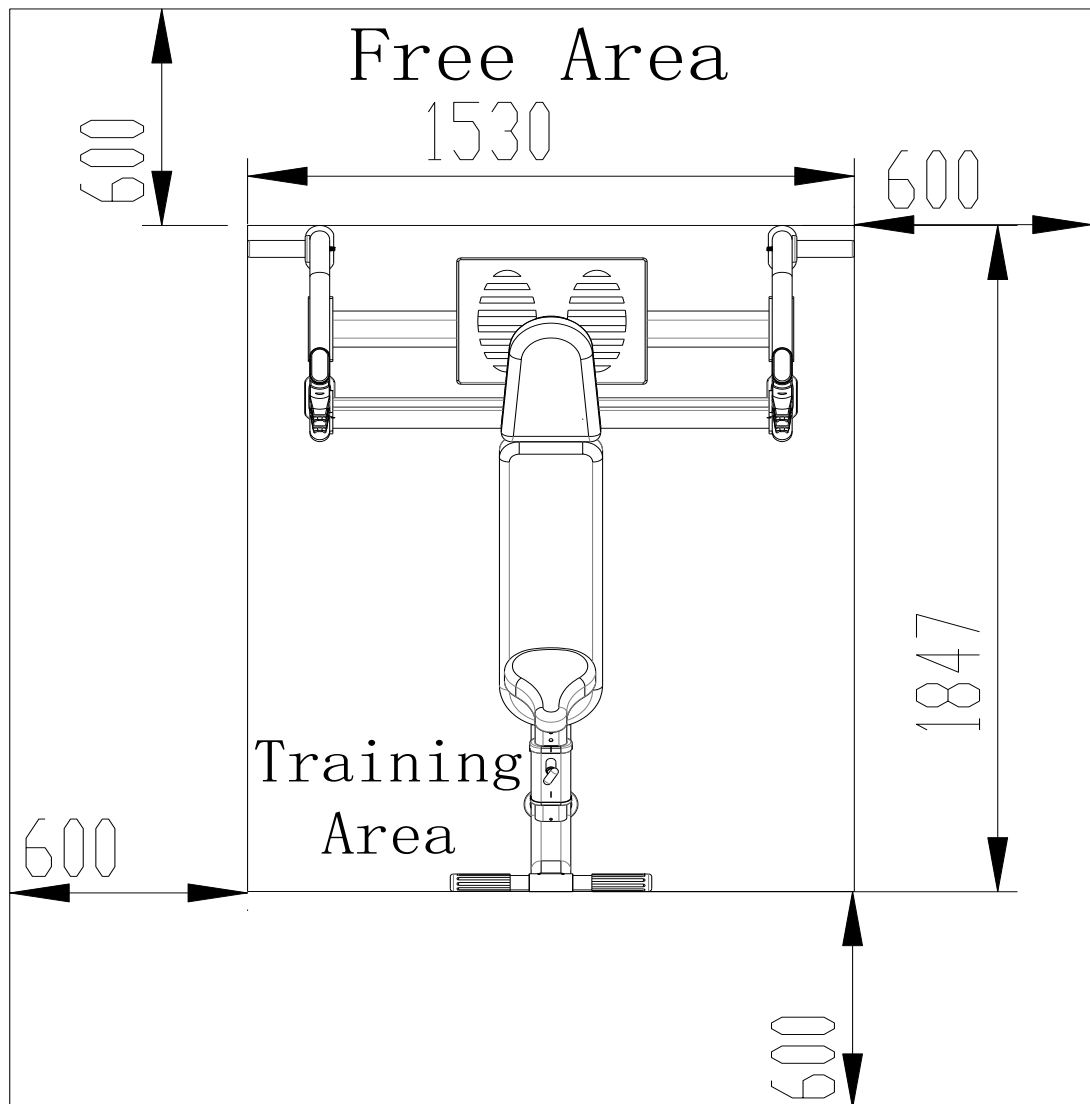


Cod : GRLDTOORXWBX3800

Rev : 00

Ed : 06/18

Training Area and Free Area



Specifications

Class: S

Maximum Wt. Capacity: 150kg/330IBS

Maximum User Weight: 135kg/297IBS

Product Total Surface: 1530*1847mm

Product Total Mass: 122kg/268IBS

REGULAR MAINTENANCE

1. The safety level of the equipment can be maintained only if it is examined regularly for damage and wear, e.g. ropes, pulleys, connection points;
2. Pay special attention to components most susceptible to wear.
3. Replace defective components immediately and /or keep t he equipment out of use until repair;
4. This equipment should carry on regular maintenance according to the following chart:

MAINTENANCE	EVERYDAY	EVERY WEEK	THREE MONTHS
Check: connecting, bolt, Weight stack bolt	√		
Clearance: cushion and cover	√		
Lubrication: place of sliding			√
Check: bolt if tighten		√	
Lubrication: Bracket of bearing			√

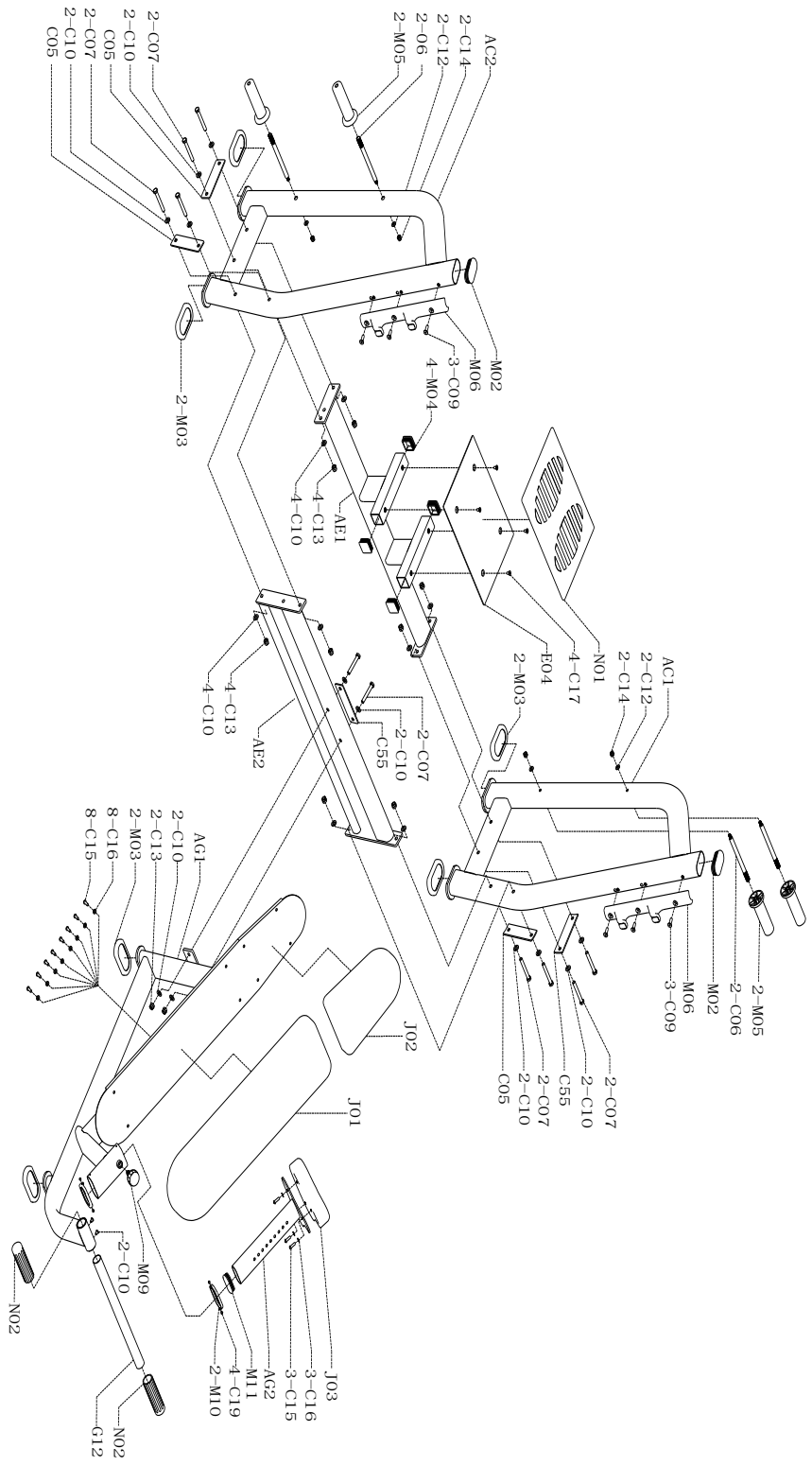
INSTALL SKETCH MAP

Let assembly become easier

All the content of user's manual is to assured the strength training machine can be installed more easily

Reading the details and instructions before installing:

1. Because the size and weight of equipment is so large, Please choose the installed place near the desired station and assured there is enough space to exercise
2. All parts can be put on the clear area, then backout the wrapper. And the wrapper can't be through away before installation finished.
3. Screw the bolt tightly except the additional instruction
4. All parts must be installed according the illustration indication.
5. Installation work can be finished by tow men
6. Identify all parts by part identify chart

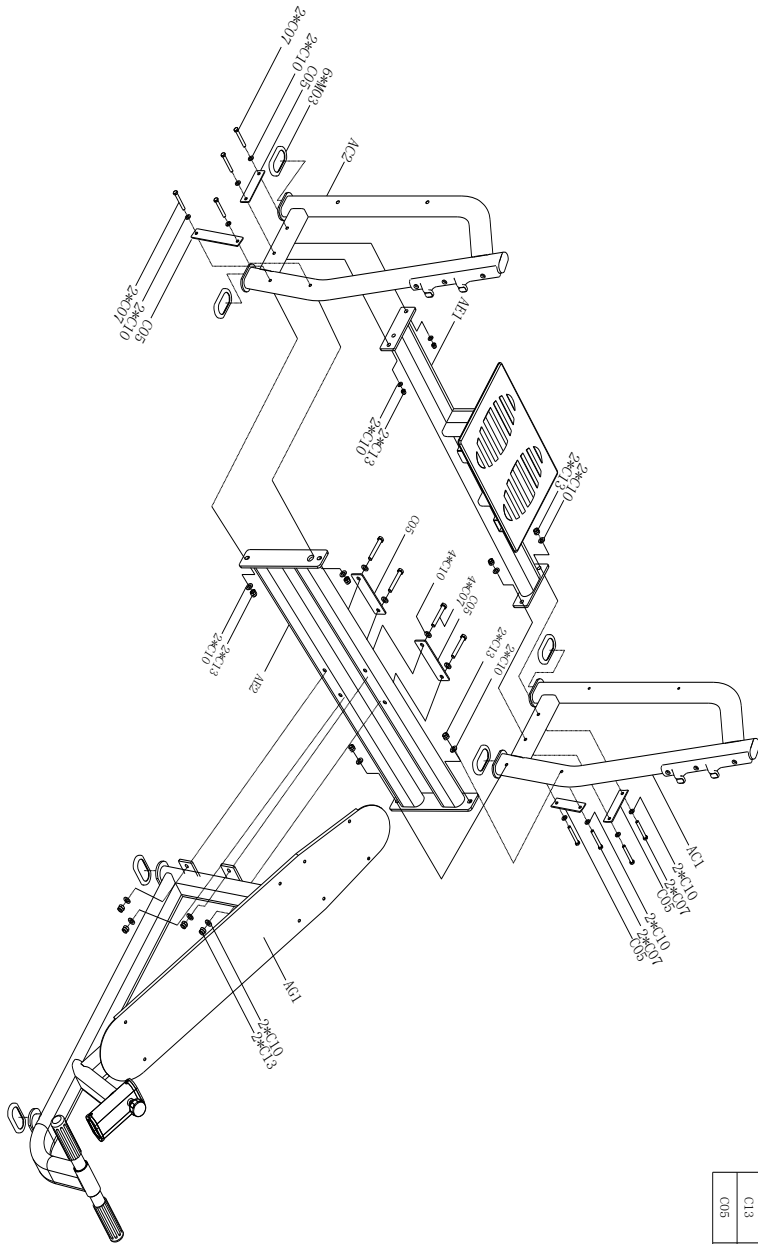


Assembly Step:

Use tool:

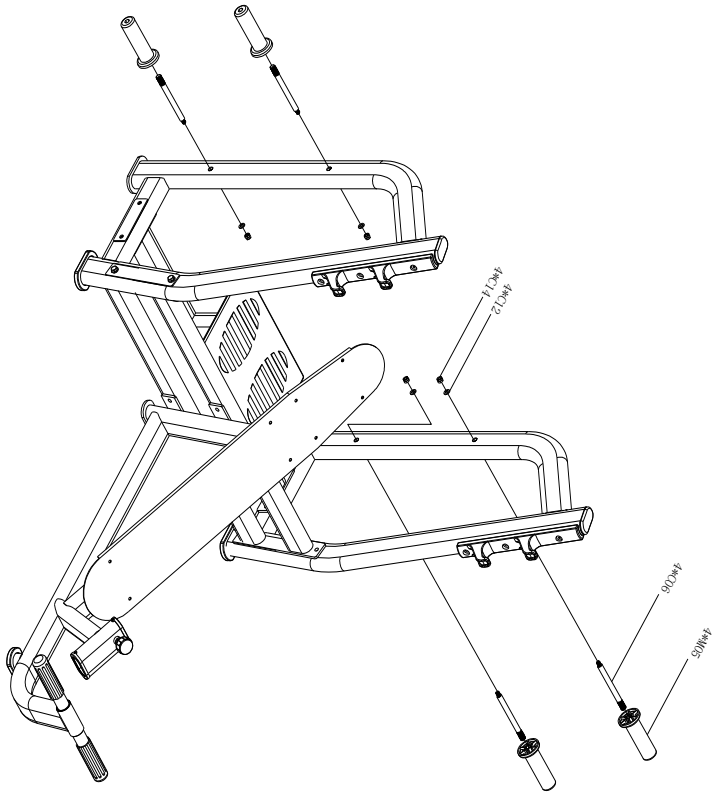
- 1. M6 Hex spanner**
- 2. Two 13-16 spanner**
- 3. Two 17-19 spanner**

STEP 1



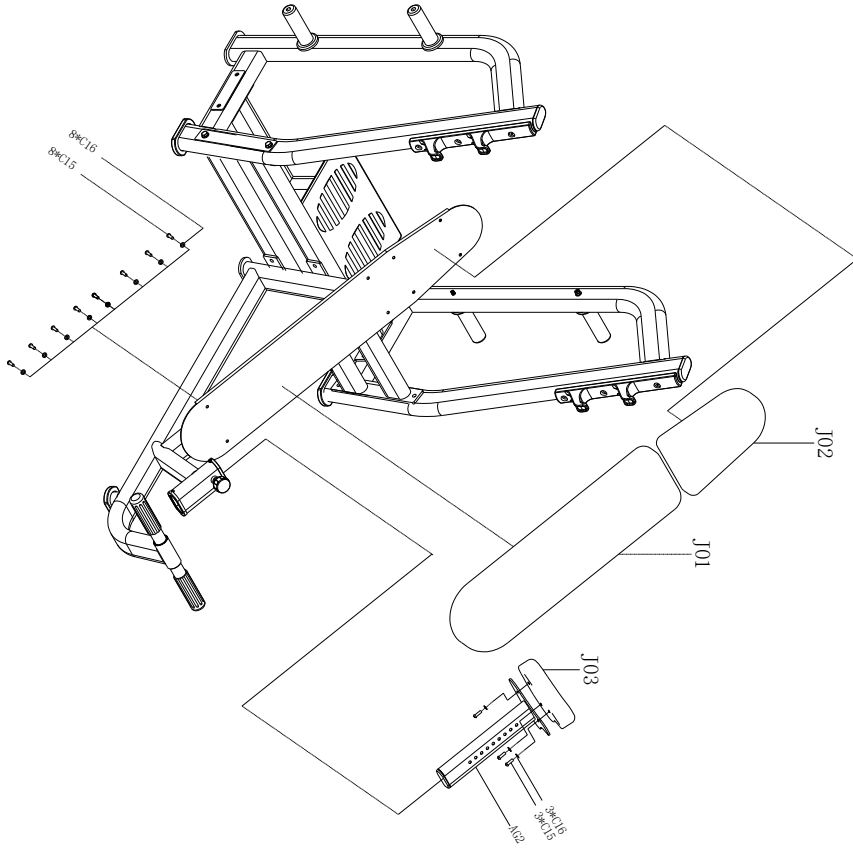
NO.	NAME	SPEC.	QTY
AC1	Frame door		1
AC2	Frame door		1
AE1	handle welding		1
AE2	lower connecting bar assembly		1
AG1	incliner plate welding		1
AG2	hossoron bolt	M12x1.75P-80L-F-50	10
AG3	washer	φ 13.5x φ 24x2.5t	20
AG4	foot rubber	φ 80x135	6
AG5	check nut	M12x1.75P	10
AG6	connecting plate	180Lx50Wx4t	5

STEP 2



NO.	NAME	SPEC	QTY
M05	plastic weight plate holder		4
C06	weight plate holder	φ16*190L	4
C12	washer	φ11* φ20*2t	4
C14	check nut	M10*1.5P	4

STEP 3

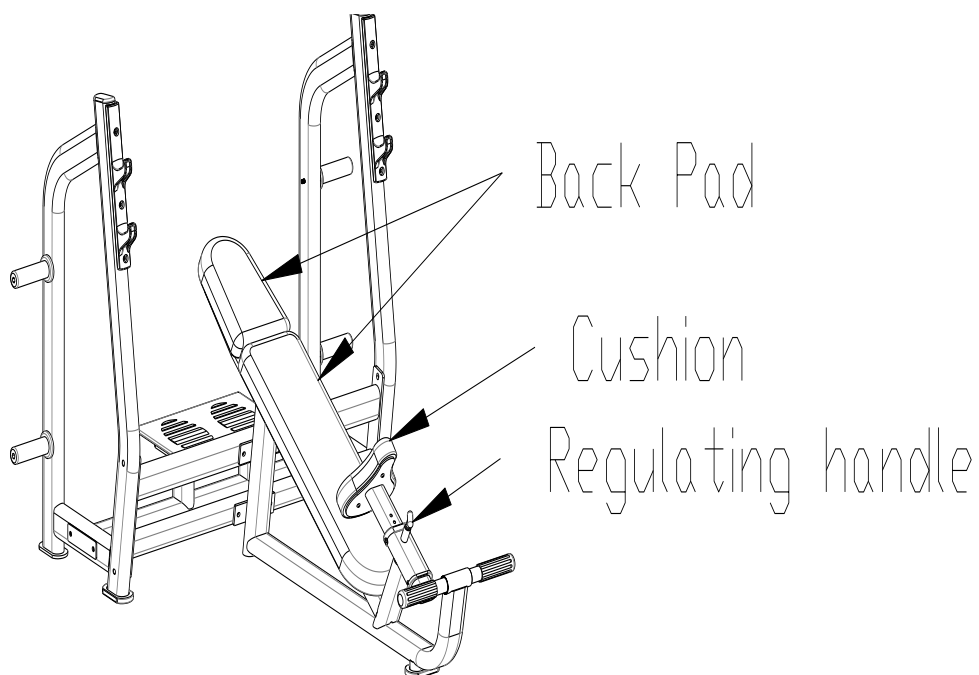


NO.	NAME	SPEC.	QTY
J01	cushion		1
J02	cushion		1
J03	triangle cushion		1
C15	six socket half round head screw	M8*1.25P-25L	11
C16	washer	φ9*1.6*1.6t	11

Adjust Instructions

Seat Height Adjustment

- 1、 Pull out the adjustable handle,adjust seat and back cushion to suitable position,and loosen the handle.
- 2、 After finish adjusting,please ensure that the bolt of the adjustable handle is inserted to pin hole completely before using the equipment.





GARLANDO SPA
Via Regione Piemonte, 32 - Zona Industriale D1
15068 - Pozzolo Formigaro (AL) - Italy
www.toorx.it - info@toorx.it