

**TOORX**  
PROFESSIONAL LINE

# INSTRUCTION



**WBX3200**

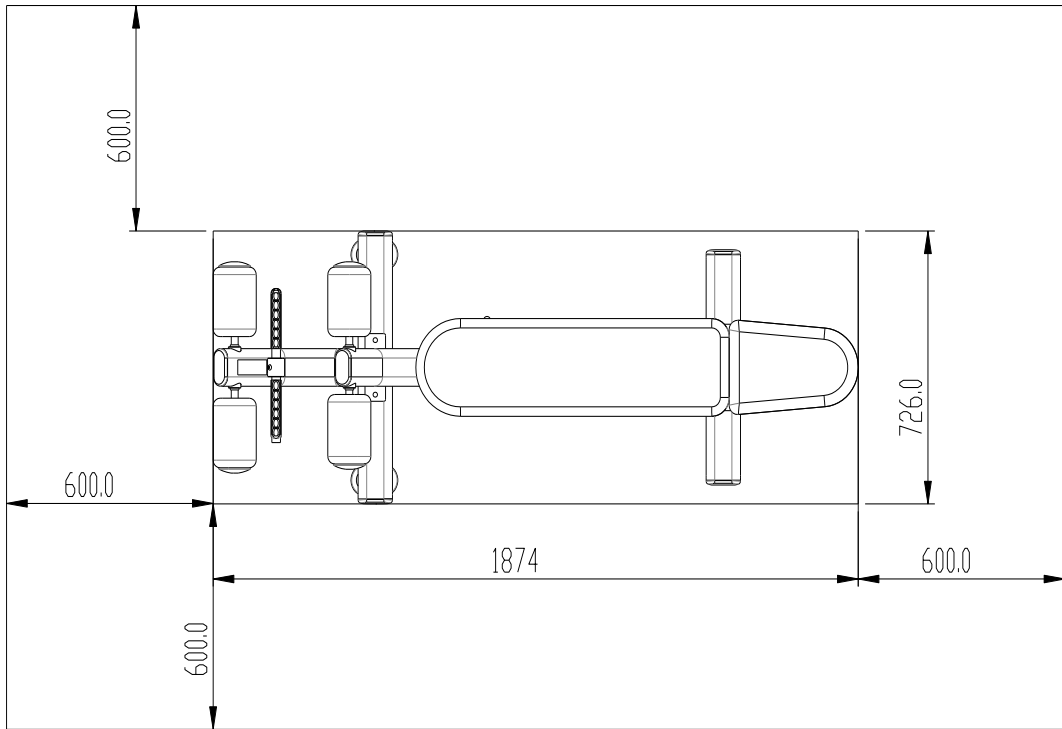


Cod : GRLDTOORXWBX3200

Rev : 00

Ed : 06/18

## Training Area and Free Area



## Specifications

Class: S

Maximum Wt. Capacity: 100kg/220IBS

Maximum User Weight: 135kg/297IBS

Product Total Surface: 1874\*726mm

Product Total Mass: 50kg/110IBS

## REGULAR MAINTENANCE

1. The safety level of the equipment can be maintained only if it is examined regularly for damage and wear, e.g. ropes, pulleys, connection points;
2. Pay special attention to components most susceptible to wear.
3. Replace defective components immediately and /or keep the equipment out of use until repair;
4. This equipment should carry on regular maintenance according to the following chart:

MAINTENANCE	EVERYDAY	EVERY WEEK	THREE MONTHS
Check: connecting, bolt, Weight stack bolt	√		
Clearance: cushion and cover	√		
Lubrication: place of sliding			√
Check: bolt if tighten		√	
Lubrication: Bracket of bearing			√

## INSTALL SKETCH MAP

Let assembly become easier

All the content of user's manual is to assured the strength training machine can be installed more easily

Reading the details and instructions before installing:

1. Because the size and weight of equipment is so large, Please choose the installed place near the desired station and assured there is enough space to exercise
2. All parts can be put on the clear area, then backout the wrapper. And the wrapper can't be through away before installation finished.
3. Screw the bolt tightly except the additional instruction
4. All parts must be installed according the illustration indication.
5. Installation work can be finished by tow men
6. Identify all parts by part identify chart



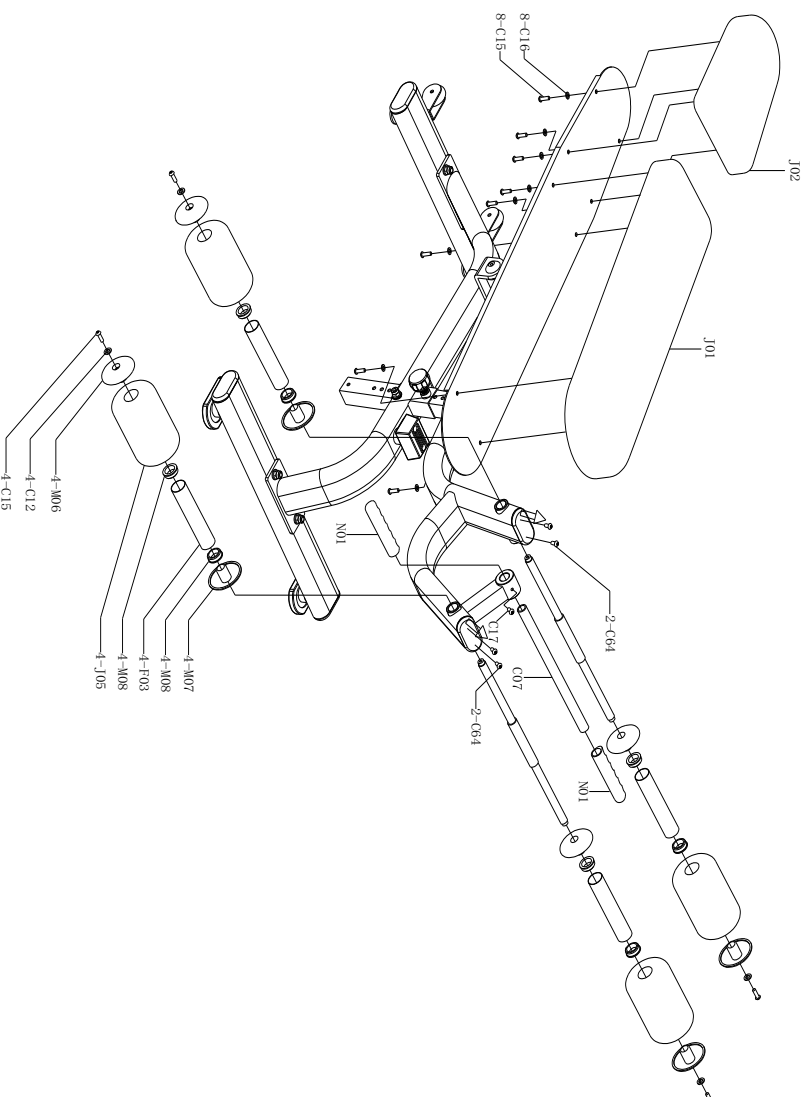
## **Assembly Step:**

### **Use tool:**

- 1. M5 Hex spanner**
- 2. M6 Hex spanner**
- 3. Two 13-16 spanner**
- 4. Two 17-19 spanner**



# Step2

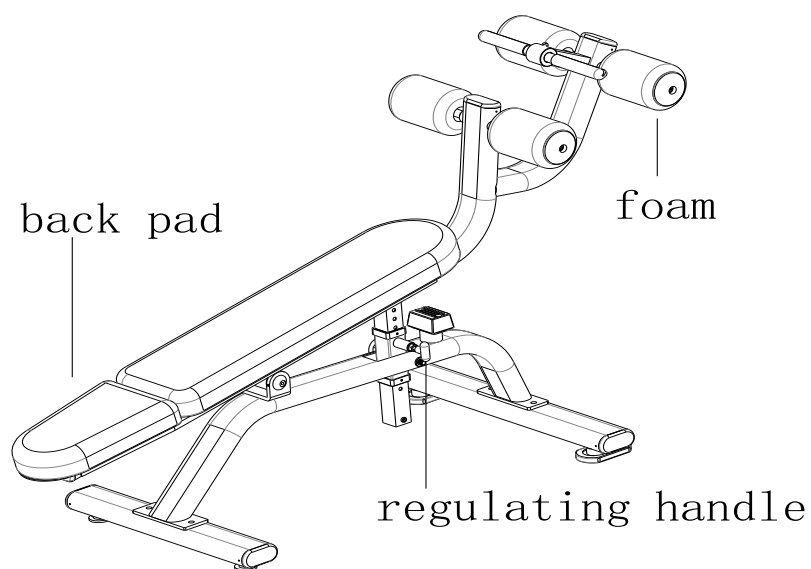


No.	name	Size	Quantity
J01	cushion	E1	1
J02	cushion	E2	1
N01	handprint handle	φ 25*160	2
C07	galvanized tube	φ 25*400L	1
C15	Hex flat round head screws	M8*1.25P-25L	12
C12	Anti lock sleeves	φ 20*φ 20*12	4
M07	Big hole foam cover	φ 100	4
J05	foam	φ 125*200L	4
M08	Foam inner sleeve	φ 40*12h	8
F03	foam pipe	φ 40*191L*1T	4
M06	Holes foam cover	φ 100	4
C16	Flat gaskets	φ 9* φ 16*1.6	8
C17	Hex flat round head screws	M8*1.25P-15L	1
C64	Hex flat round head screws	M8*1.25P-10L	4

## Adjust Instructions

### Seat and Back Height Adjustment

- 1、 Pull out the adjustable handle,adjust seat and back cushion to suitable position,and loosen the handle.
- 2、 After finish adjusting,please ensure that the bolt of the adjustable handle is inserted to pin hole completely before using the equipment.







GARLANDO SPA  
Via Regione Piemonte, 32 - Zona Industriale D1  
15068 - Pozzolo Formigaro (AL) - Italy  
[www.toorx.it](http://www.toorx.it) - [info@toorx.it](mailto:info@toorx.it)