

TOORX
PROFESSIONAL LINE

INSTRUCTION



WBX2800

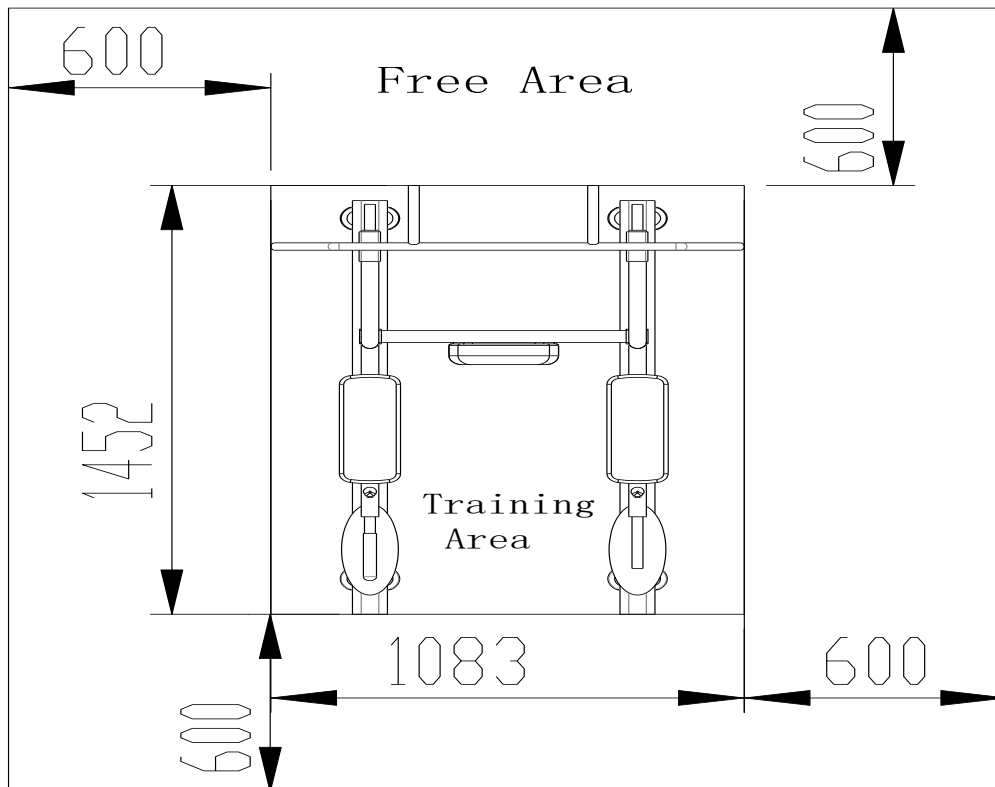


Cod: GRLDTOORXWBX2800

Rev : 00

Ed : 06/18

Training Area and Free Area



Specifications

Class: S

Maximum Wt. Capacity: 135kg/297IBS

Maximum User Weight: 135kg/297IBS

Product Total Surface: 1083*1452mm

Product Total Mass: 45kg/99IBS

REGULAR MAINTENANCE

1. The safety level of the equipment can be maintained only if it is examined regularly for damage and wear, e.g. ropes, pulleys, connection points;
2. Pay special attention to components most susceptible to wear.
3. Replace defective components immediately and /or keep the equipment out of use until repair;
4. This equipment should carry on regular maintenance according to the following chart:

MAINTENANCE	EVERYDAY	EVERY WEEK	THREE MONTHS
Check: connecting, bolt, Weight stack bolt	√		
Clearance: cushion and cover	√		
Lubrication: place of sliding			√
Check: bolt if tighten		√	
Lubrication: Bracket of bearing			√

INSTALL SKETCH MAP

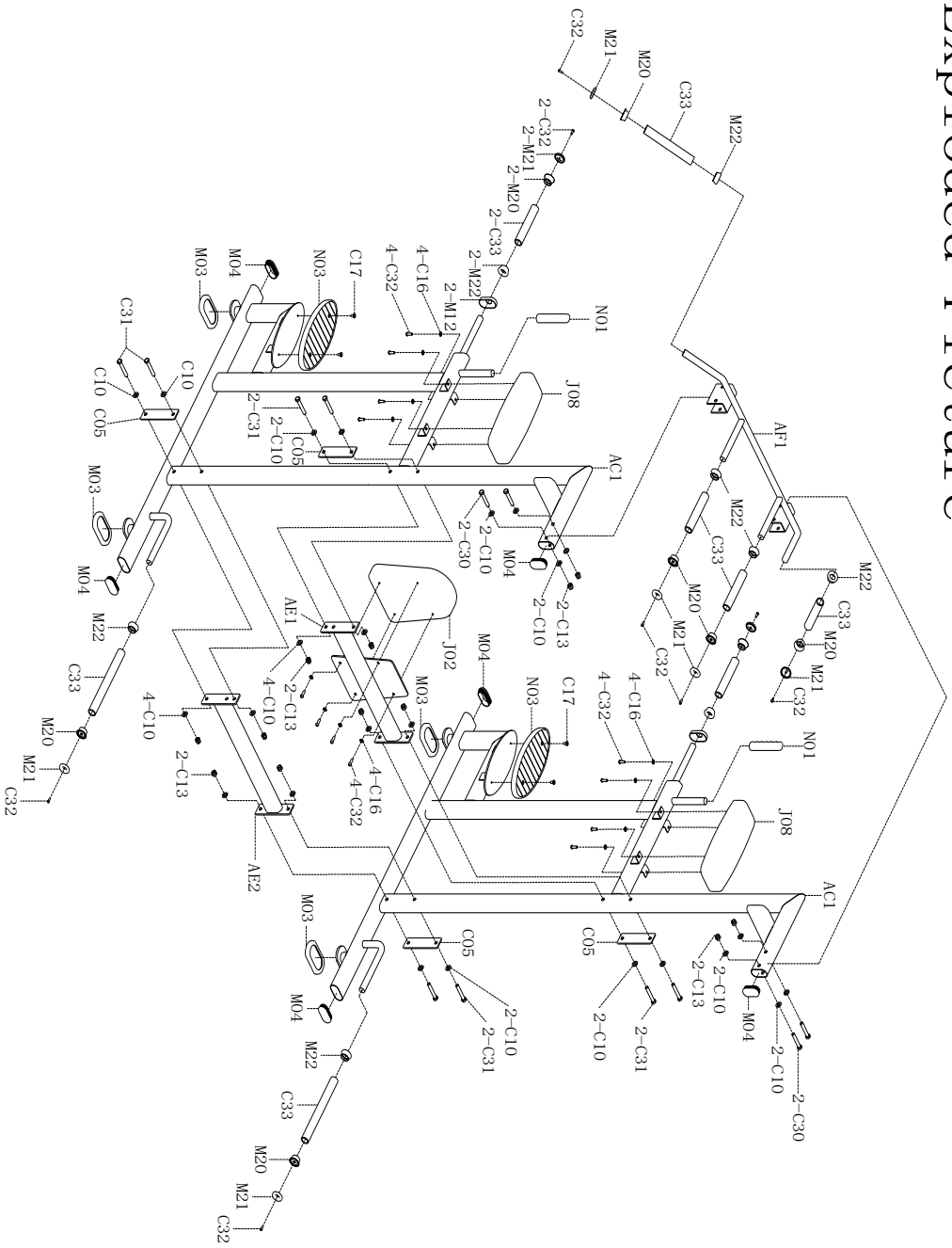
Let assembly become easier

All the content of user's manual is to assured the strength training machine can be installed more easily

Reading the details and instructions before installing:

1. Because the size and weight of equipment is so large, Please choose the installed place near the desired station and assured there is enough space to exercise
2. All parts can be put on the clear area, then backout the wrapper. And the wrapper can't be through away before installation finished.
3. Screw the bolt tightly except the additional instruction
4. All parts must be installed according the illustration indication.
5. Installation work can be finished by tow men
6. Identify all parts by part identify chart

Exploded Picture

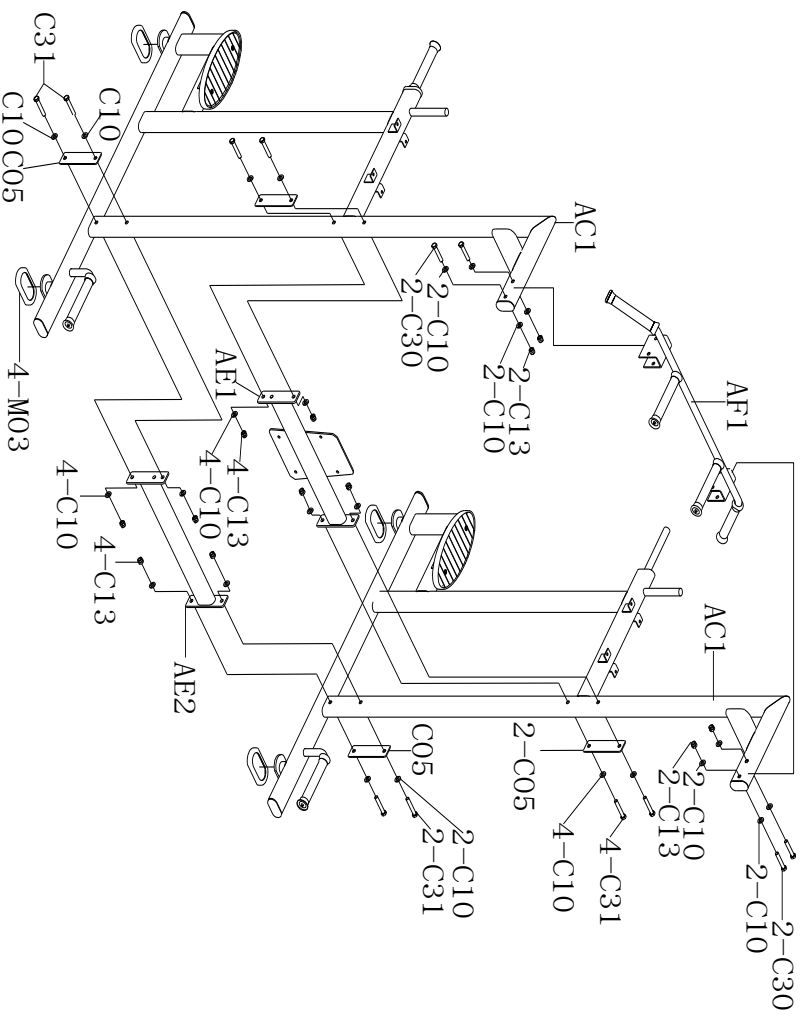


Assembly Step:

Use tool:

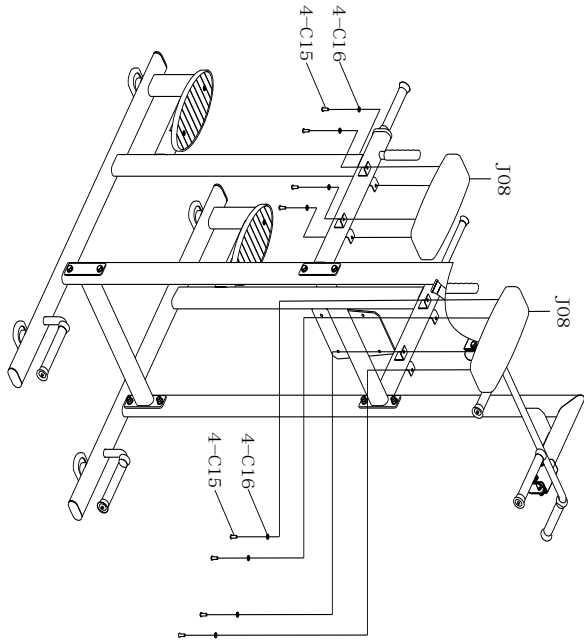
- 1. M6 Hex spanner**
- 2. Two 17-19 spanner**

Step 1



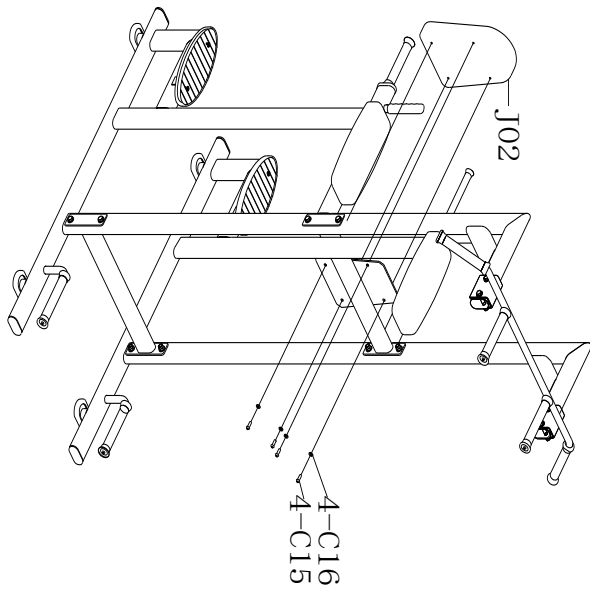
No.	Name	Size	Quantity
AC1	frame welding group		2
AF1	handle welding group		1
AE1	backboard welding group		1
AE2	welding group of upper connection support		1
C05	connection board	180L*50W*4t	4
C10	washer	φ 13. 5* φ 24*2. 5t	24
C13	locknut	M12*1. 75P	
C30	outer hexagonal bolt	M12*1. 75P-65L	4
C31	outer hexagonal bolt	M12*1. 75P-70	8
M03	flat oval foot pad	135L*80W	4

Step 2



No.	Name	Size	Quantity
J08	cushion	D1	2
C16	washer	φ 9* φ 16*1.6t	8
C15	hexagon socket button head screws	M8*1.25P-25L	8

Step 3



No.	Name	Size	Quantity
J02	cushion	E2	1
C16	washer	φ 9* φ 16*1.6t	4
C15	hexagon socket button head screws	M8*1.25P-25L	4



GARLANDO SPA
Via Regione Piemonte, 32 - Zona Industriale D1
15068 - Pozzolo Formigaro (AL) - Italy
www.toorx.it - info@toorx.it