

**TOORX**  
PROFESSIONAL LINE

# INSTRUCTION



# WBX2600

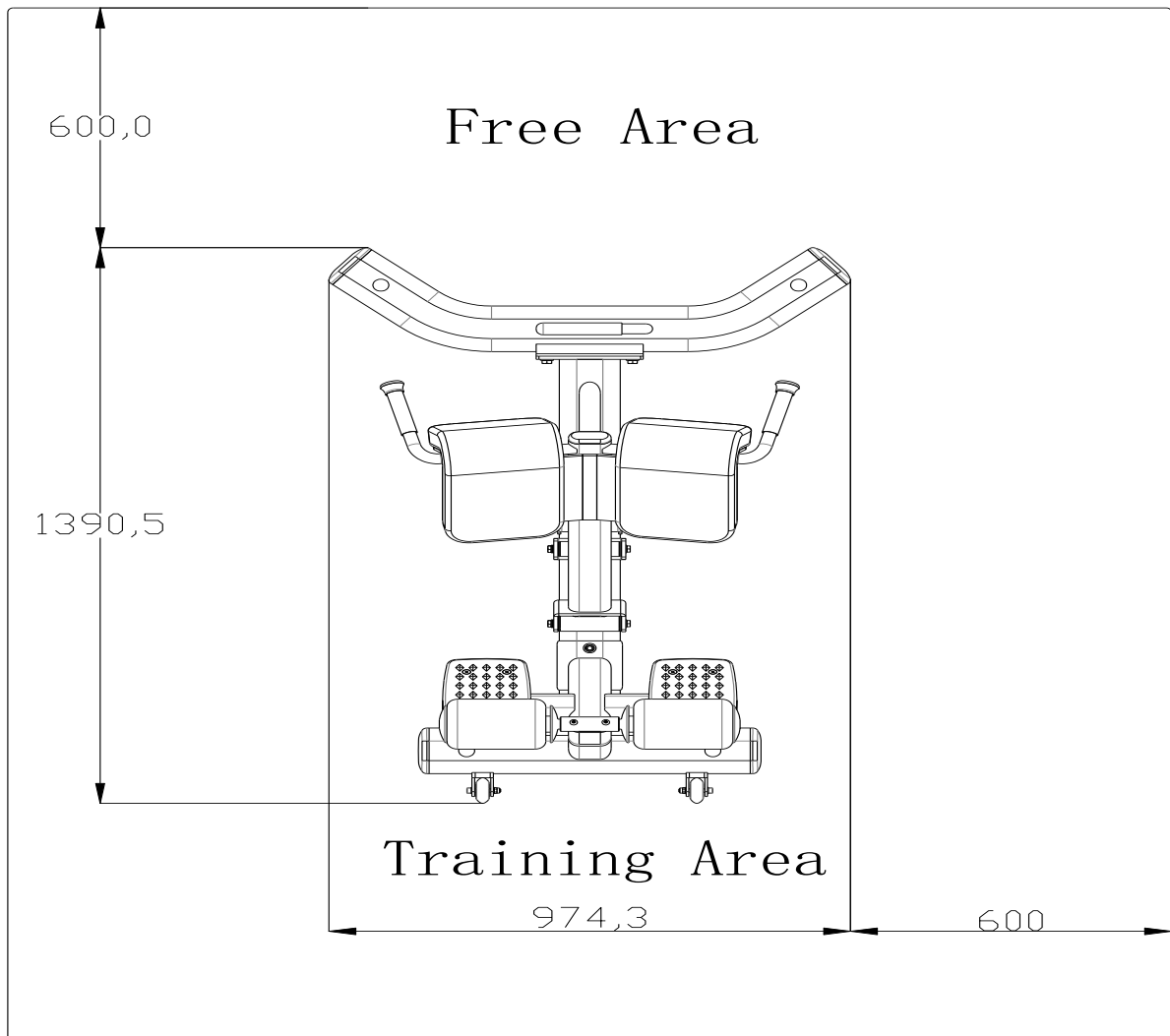


Cod : GRLDTOORXWBX2600

Rev : 00

Ed : 06/18

## Training Area and Free Area



## Specifications

Class: S

Maximum Wt. Capacity: 200kg/440IBS

Maximum User Weight: 135kg/297IBS

Product Total Surface: 1390.5\*974.3\*800mm

Product Total Mass: 62kg/136.4IBS

## REGULAR MAINTENANCE

1. The safety level of the equipment can be maintained only if it is examined regularly for damage and wear, e.g. ropes, pulleys, connection points;
2. Pay special attention to components most susceptible to wear.
3. Replace defective components immediately and /or keep t he equipment out of use until repair;
4. This equipment should carry on regular maintenance according to the following chart:

MAINTENANCE	EVERYDAY	EVERY WEEK	THREE MONTHS
Check: connecting, bolt, Weight stack bolt	√		
Clearance: cushion and cover	√		
Lubrication: place of sliding			√
Check: bolt if tighten		√	
Lubrication: Bracket of bearing			√

## INSTALL SKETCH MAP

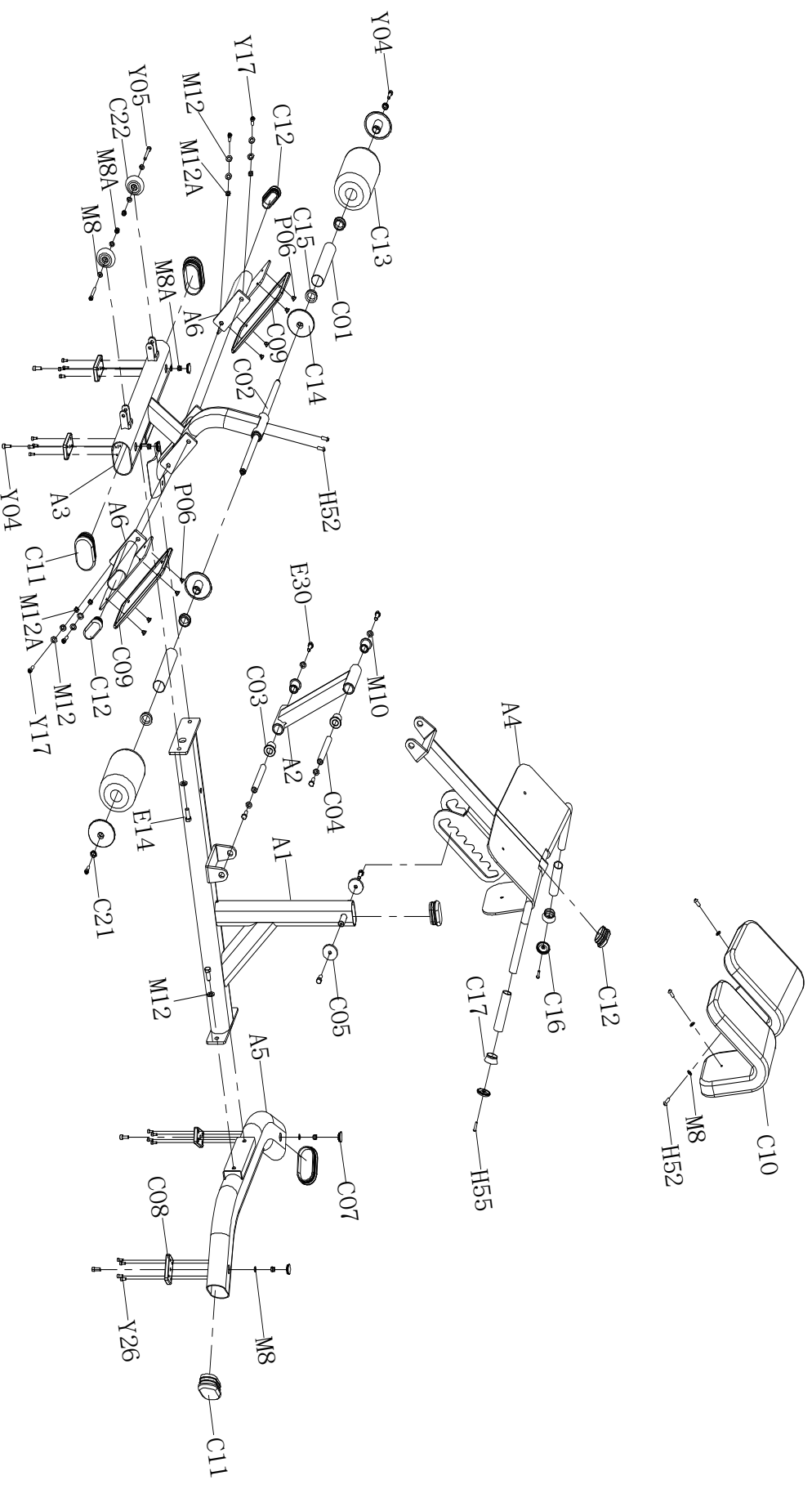
Let assembly become easier

All the content of user's manual is to assured the strength training machine can be installed more easily

Reading the details and instructions before installing:

1. Because the size and weight of equipment is so large, Please choose the installed place near the desired station and assured there is enough space to exercise
2. All parts can be put on the clear area, then backout the wrapper. And the wrapper can't be through away before installation finished.
3. Screw the bolt tightly except the additional instruction
4. All parts must be installed according the illustration indication.
5. Installation work can be finished by tow men
6. Identify all parts by part identify chart

# Exploded Picture



## **Assemble Step:**

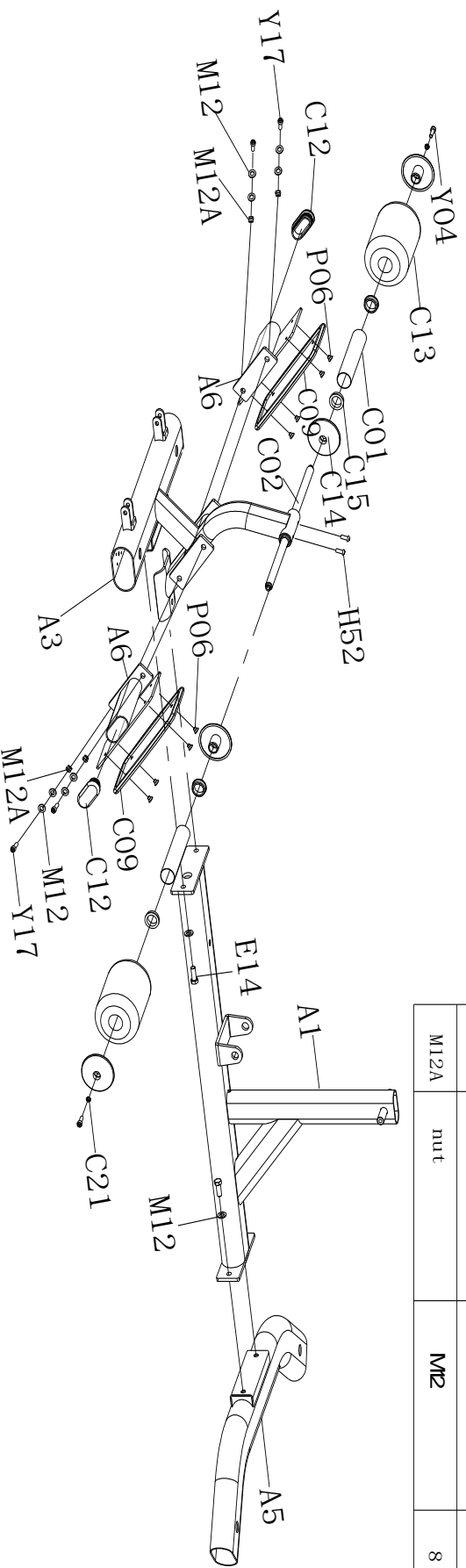
### **Use tool:**

- 1. M6 Hex spanner**
- 2. Two 17-19 spanner**

# Step. 1

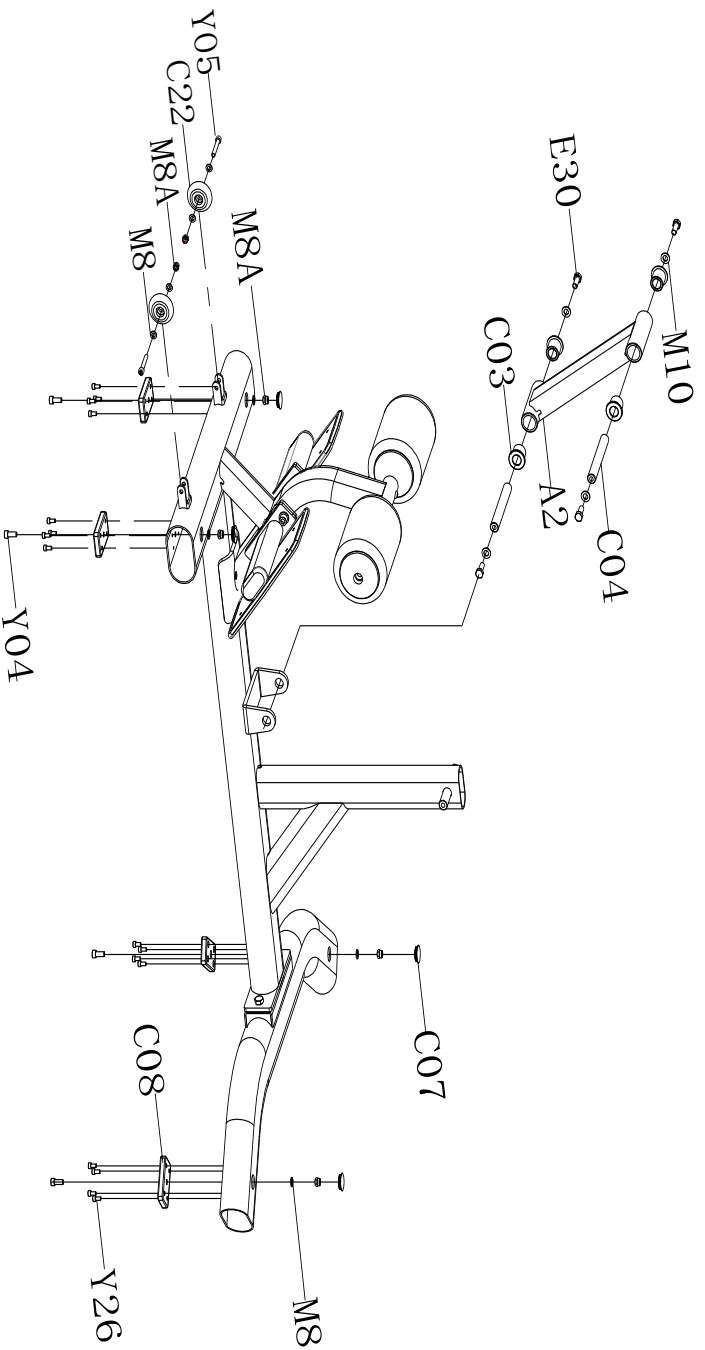
NO.	Name	Specification	Qty	NO.	Name	Specification	Qty
Y04	socket cap screw	?8*25L	2	P06	phillips screws	<b>M8* 16L</b>	8
C13	Foam cylinder	?125*185L	2	C09	Foot pad	165*290L	2
C01	casing	?125*185L	2	E14	hexagon bolt	<b>M12* 30L</b>	4
C15	Pipe sleeve	?40*12t	4	A1	main frame assembly	<b>545* 919L * 200</b>	1
C14	plastic cover	?93*40L	4	A3	Foot welding group	<b>390* 600* 457</b>	1
H52	socket head round head	<b>M8*20L</b>	2	A5	Stick to pipe welding group	<b>266* 127.5* 960</b>	1

A6	Foot welding group		2
Y17	socket cap screw	<b>M12* 30</b>	4
C12	plugs	<b>40* 80</b>	2
M12	washer	<b>M12</b>	12
M12A	nut	<b>M12</b>	8



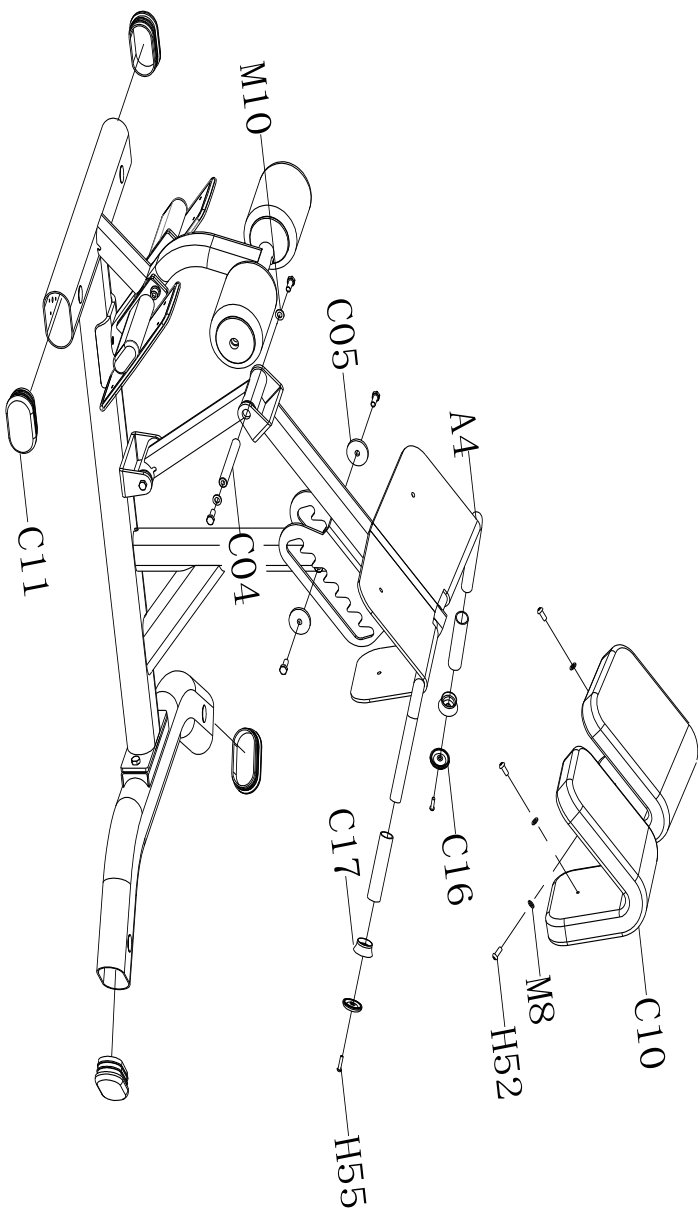
# Step. 2

NO.	Name	Specification	Qty	NO.	Name	Specification	Qty
M10	washer	<b>M10* 25L</b>	4	C07	plugs	<b>?25</b>	4
E30	socket cap screw	M10*25L	4	C08	Ground floor mat	48*80*13t	4
C04	shantft	?20*131L	2	M8	washer	M8	8
C03	copper set of	?38*30t	4	Y04	socket cap screw	?8*25L	4
A2	connecting pipe welding group	M16	1	Y26	socket cap screw	M6*16L	16
M8A	nut	M8	6	Y05	socket cap screw	?8*55L	2
C22	pulley	?64*25t	2				



# Step. 3

NO.	Name	Specification	Qty	NO.	Name	Specification	Qty
A4	Hand welding group	218*710*762	1	C05	the big washer	?50*6t	2
C16	hand hat	?45*8.5	2	M10	washer	M10	2
C17	hand hat	?45*19	2	C04	A short shaft	?20*131L	2
H55	Semicircle head screws hexagon	M6*30L	2	H52	Semicircle head screws hexagon	M8*20L	4
C10	Elbow pads	251*298*225	2	C12	plugs	40*80	1
M8	washer	M8	4	C11	plugs	65*114	4







GARLANDO SPA  
Via Regione Piemonte, 32 - Zona Industriale D1  
15068 - Pozzolo Formigaro (AL) - Italy  
[www.toorx.it](http://www.toorx.it) - [info@toorx.it](mailto:info@toorx.it)