

**TCORX**  
PROFESSIONAL LINE

# INSTRUCTION



# WBX2400

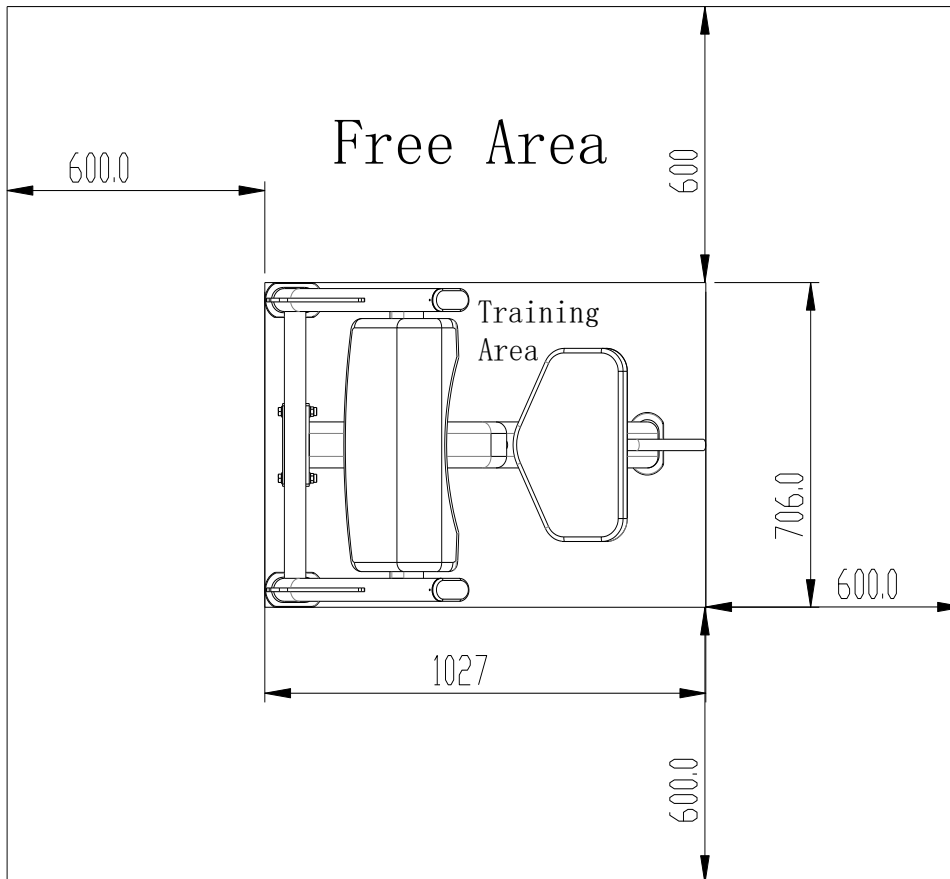


Cod : GRLDTCORXWBX2400

Rev : 00

Ed : 06/18

## Training Area and Free Area



## Specifications

Class: S

Maximum Wt. Capacity: 100kg/220IBS

Maximum User Weight: 135kg/297IBS

Product Total Surface: 1027\*706mm

Product Total Mass: 50kg/110IBS

## REGULAR MAINTENANCE

1. The safety level of the equipment can be maintained only if it is examined regularly for damage and wear, e.g. ropes, pulleys, connection points;
2. Pay special attention to components most susceptible to wear.
3. Replace defective components immediately and /or keep the equipment out of use until repair;
4. This equipment should carry on regular maintenance according to the following chart:

MAINTENANCE	EVERYDAY	EVERY WEEK	THREE MONTHS
Check: connecting, bolt, Weight stack bolt	√		
Clearance: cushion and cover	√		
Lubrication: place of sliding			√
Check: bolt if tighten		√	
Lubrication: Bracket of bearing			√

## INSTALL SKETCH MAP

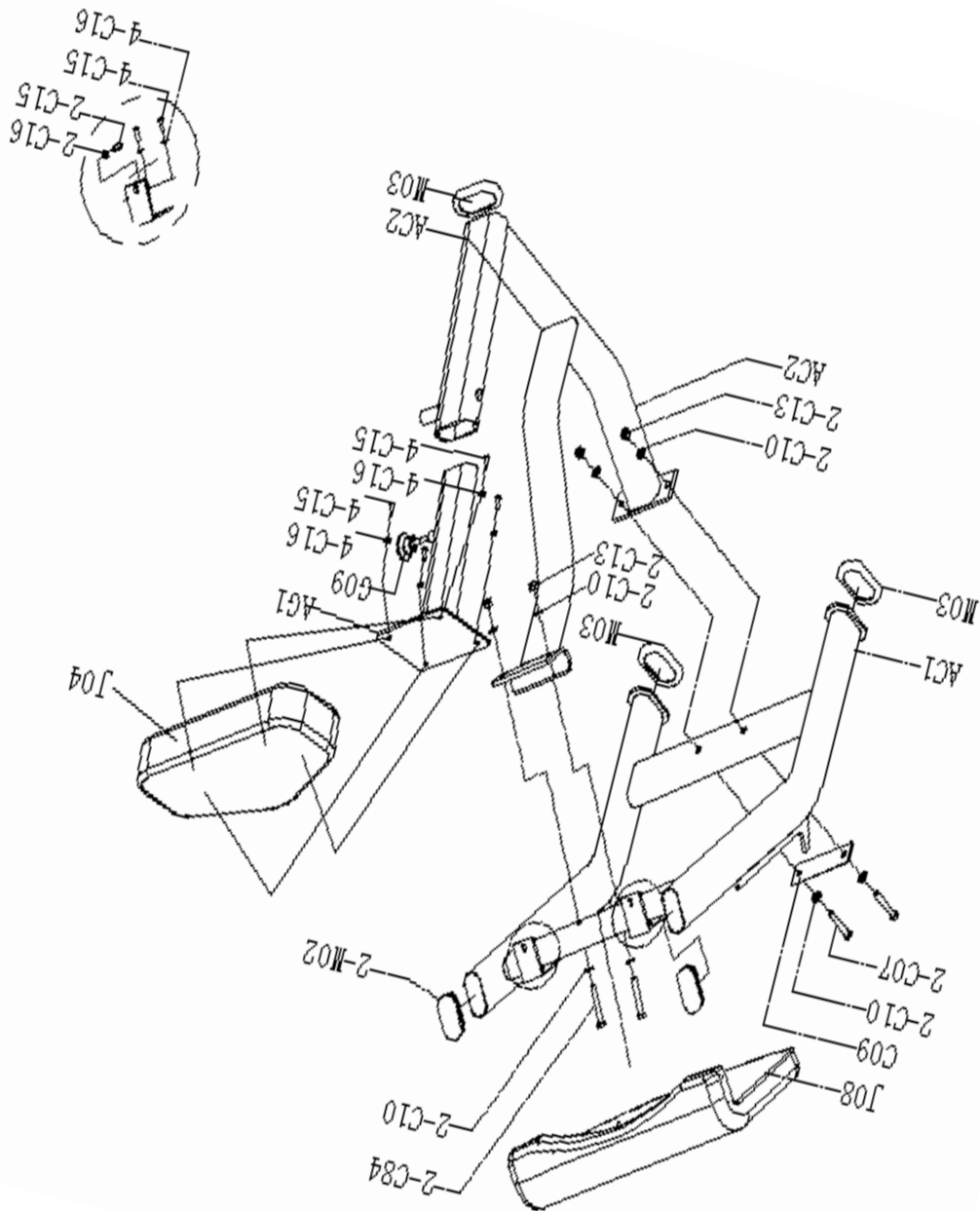
Let assembly become easier

All the content of user's manual is to assured the strength training machine can be installed more easily

Reading the details and instructions before installing:

1. Because the size and weight of equipment is so large, Please choose the installed place near the desired station and assured there is enough space to exercise
2. All parts can be put on the clear area, then backout the wrapper. And the wrapper can't be through away before installation finished.
3. Screw the bolt tightly except the additional instruction
4. All parts must be installed according the illustration indication.
5. Installation work can be finished by tow men
6. Identify all parts by part identify chart

# Exploded picture

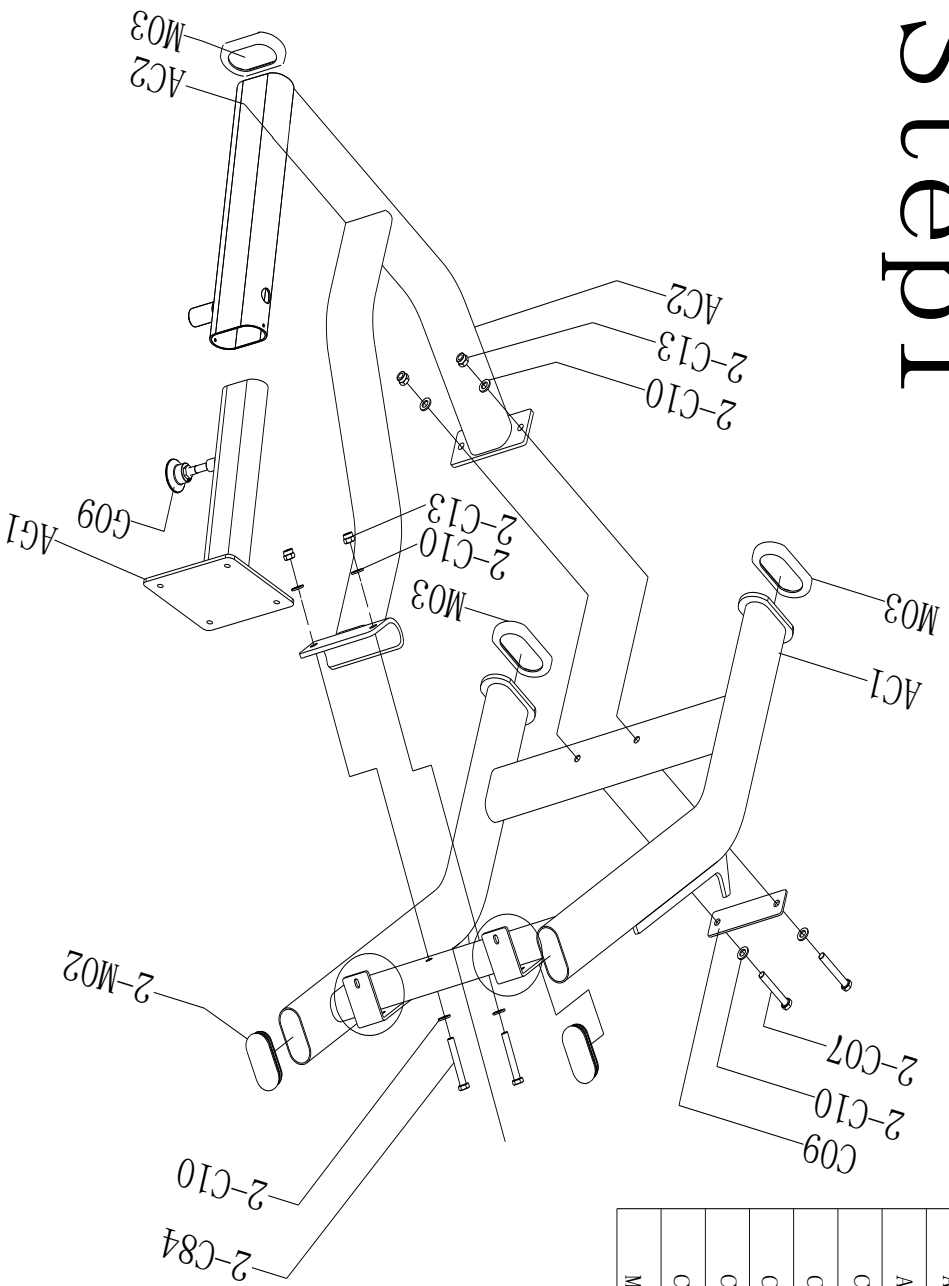


## **Assembly Step:**

### **Use tool:**

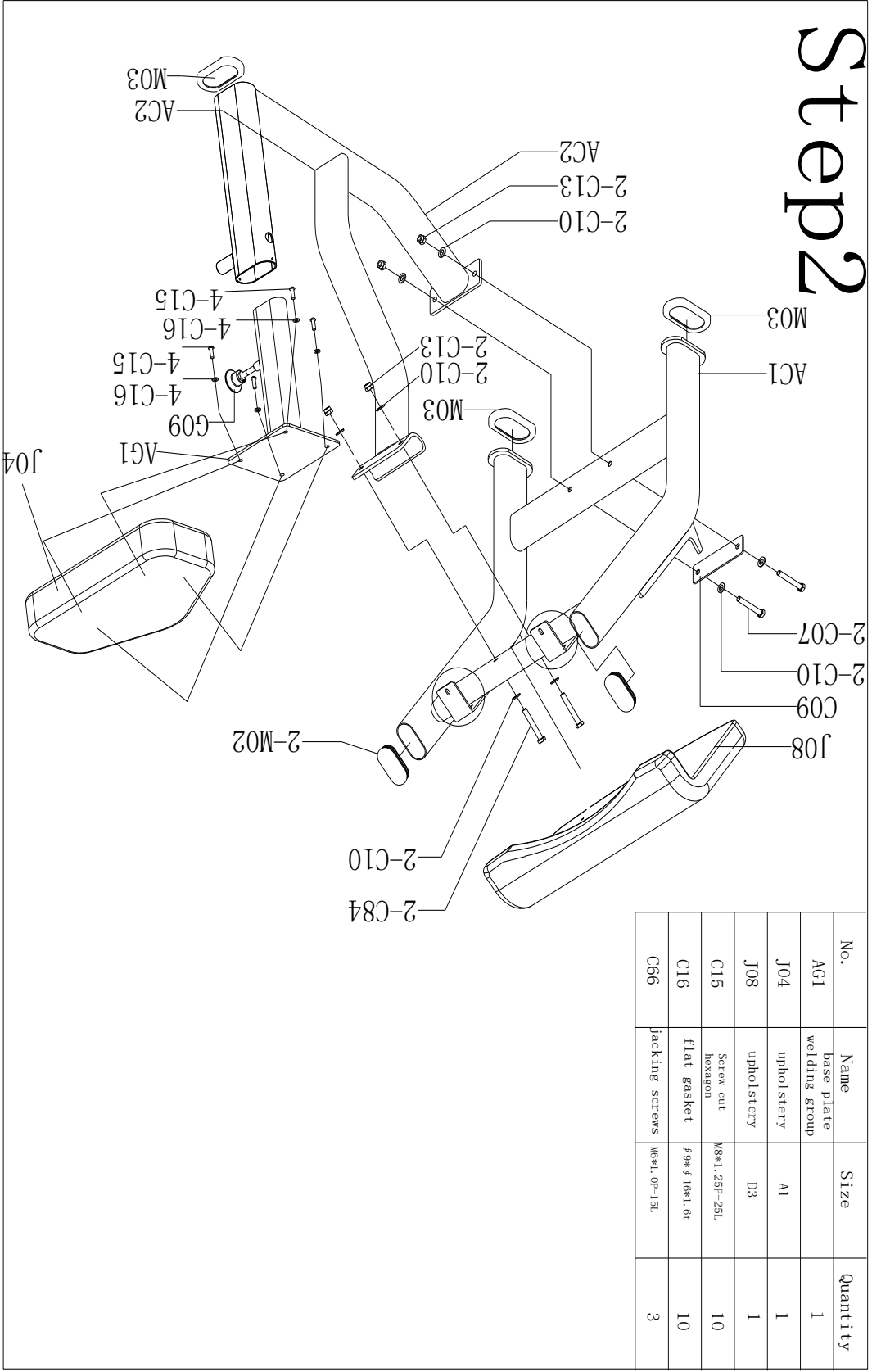
- 1. M6 Hex spanner**
- 2. M6 Hex spanner**
- 3. Two 17-19 spanner**

# Step 1



NO.	Name	Size	Quantity
AC1	main frame welding group 1		1
AC2	main frame welding group 2		1
C07	outer hexagon screw	M12*1.75P-80L	2
C09	gas spring	45kg	1
C10	flat gasket	φ 13.5*φ 24*0.5t	8
C13	lock nut	M12*1.75P	4
C84	outer hexagon screw	M12*1.75P-K40	2
M03	flat oval pads	φ 80*135	3

# Step 2

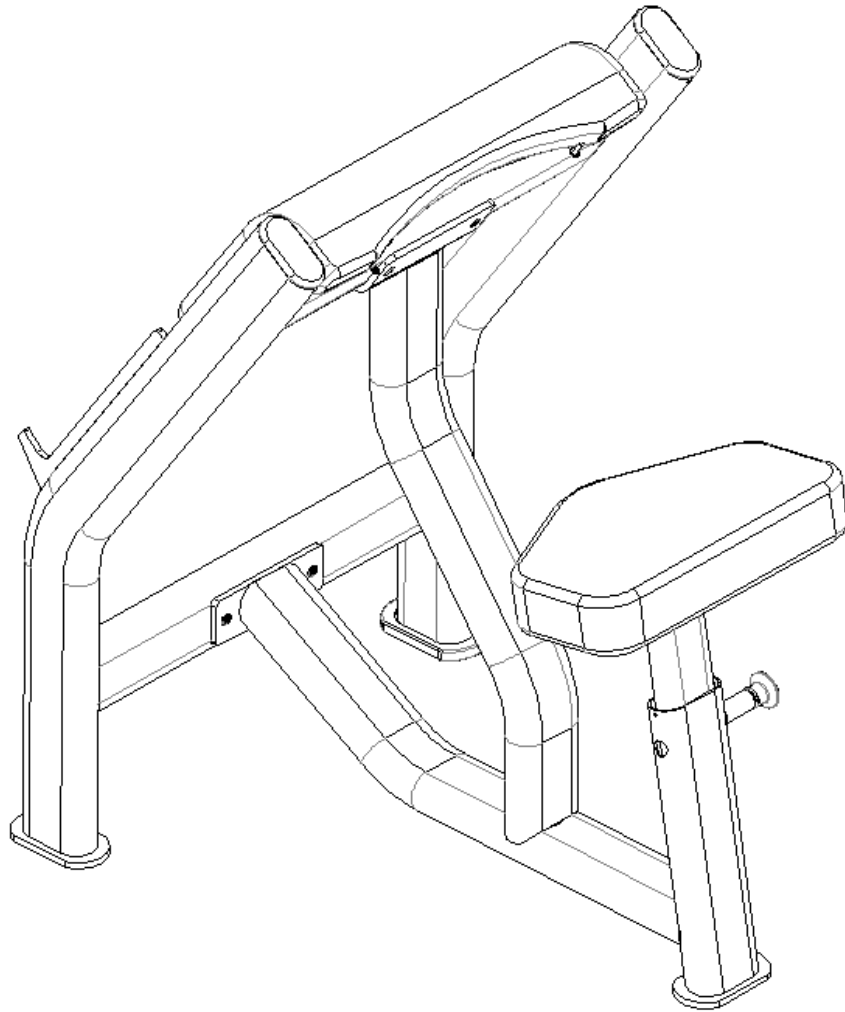


No.	Name	Size	Quantity
AG1	base plate welding group		1
J04	upholstery	A1	1
J08	upholstery	D3	1
C15	Screw cut Hexagon	M8*1.25P-25L	10
C16	Flat gasket	φ9*φ16*1.6t	10
C66	jackling screws	M6*1.0P-15L	3

## Adjust Instructions

### Seat Height Adjustment

- 1、 Pull out the adjustable handle,adjust seat cushion to suitable position,and loosen the handle.
- 2、 After finish adjusting,please ensure that the bolt of the adjustable handle is inserted to pin hole completely before using the equipment.







GARLANDO SPA  
Via Regione Piemonte, 32 - Zona Industriale D1  
15068 - Pozzolo Formigaro (AL) - Italy  
[www.toorx.it](http://www.toorx.it) - [info@toorx.it](mailto:info@toorx.it)