

**TOORX**  
PROFESSIONAL LINE

# INSTRUCTION



**CSX5000**

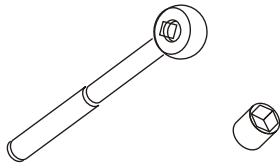


Cod : GRLDTOORXCSX5000

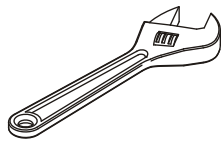
Rev : 00

Ed : 08/19

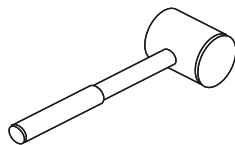
## Tools Required



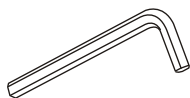
Ratchet Wrench and Socket



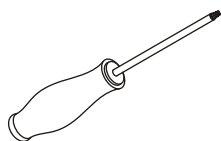
Adjustable Wrench



Rubber Mallet



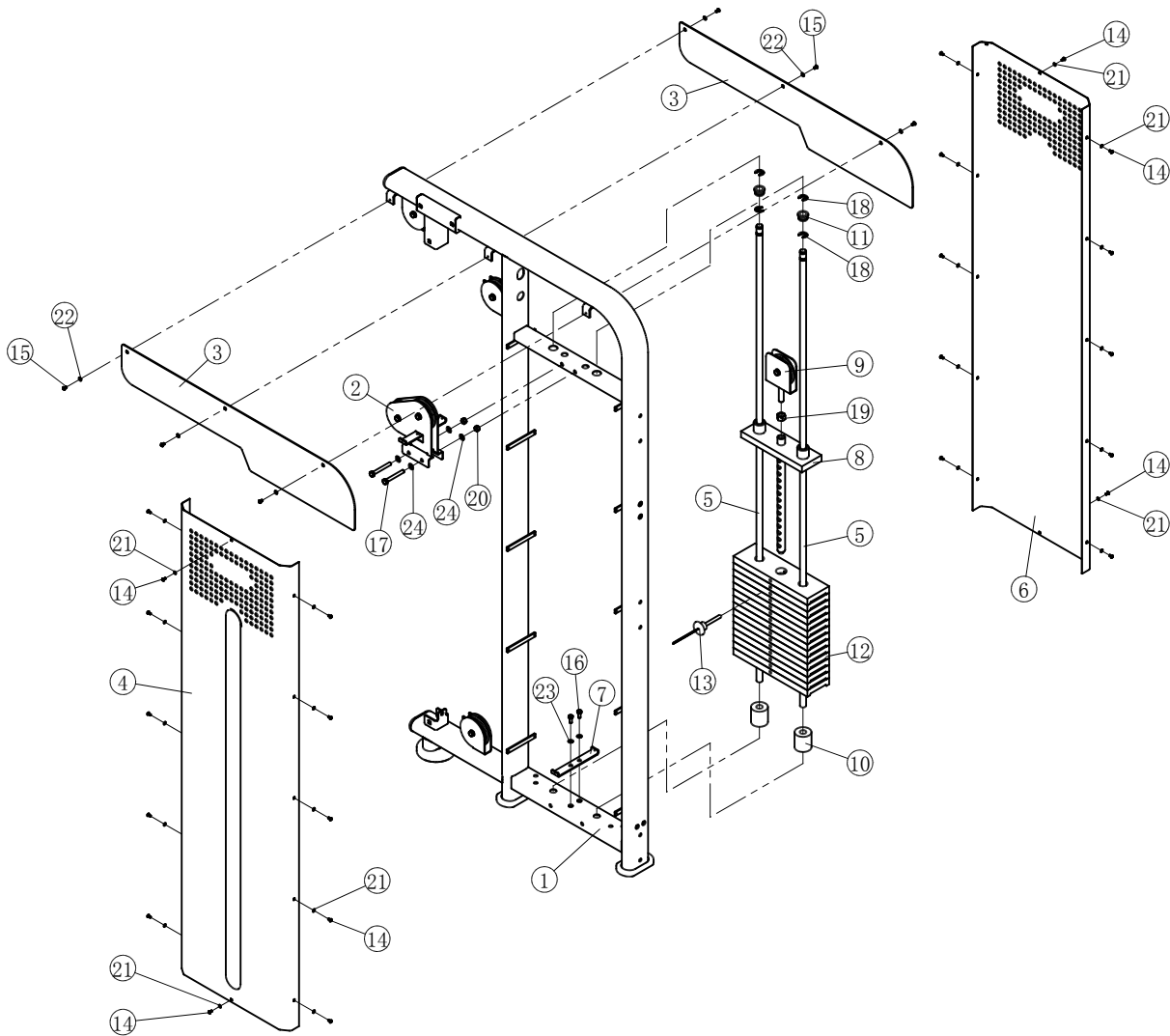
Hex Key Wrench Set



Phillips Screwdriver

# Exploded View and Parts List

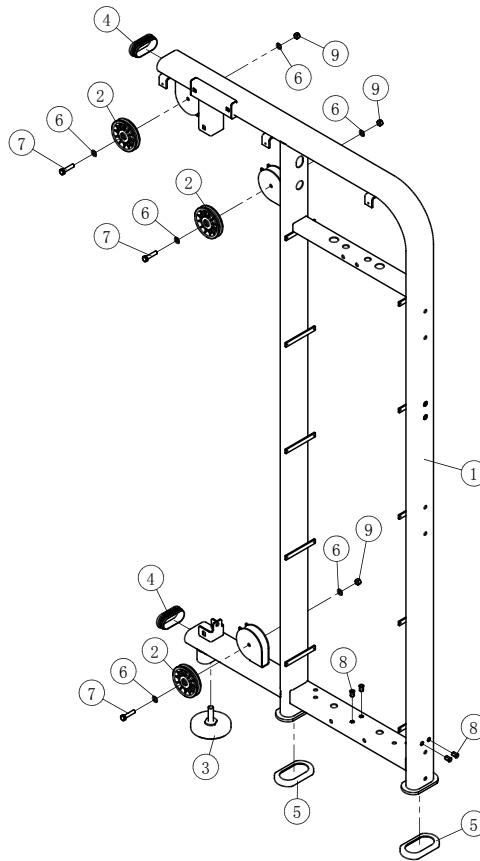
## Left weight stack frame ASSY



Item No.	Description	QTY	Item No.	Description	QTY
1.1	Left weight stack frame ASSY	1	1.13	Pull pin	1
1.2	Pulley frame ASSY	1	1.14	Button Head Cap Screw M5*10	24
1.3	Top hood panel	2	1.15	Button Head Cap Screw M6*10	6
1.4	Guard plate	1	1.16	Hex Head Bolt M8*20	2
1.5	Guide rod	2	1.17	Hex Head Bolt M10*80	2
1.6	After the shield	1	1.18	Open ring Φ15	4
1.7	Connection plate	1	1.19	Hexagon nut M16	1
1.8	Top plate	1	1.20	Nylon Lock Nut M10	2
1.9	Fall block ASSY	1	1.21	Flat Washer Φ5.3*Φ10*1	24
1.10	Weight rubber bumper	2	1.22	Flat Washer Φ6.6*Φ12*1	6
1.11	Rubber sleeve	2	1.23	Flat Washer Φ9*Φ16*1	2
1.12	Weight plate	15	1.24	Flat Washer Φ11*Φ20*1	4

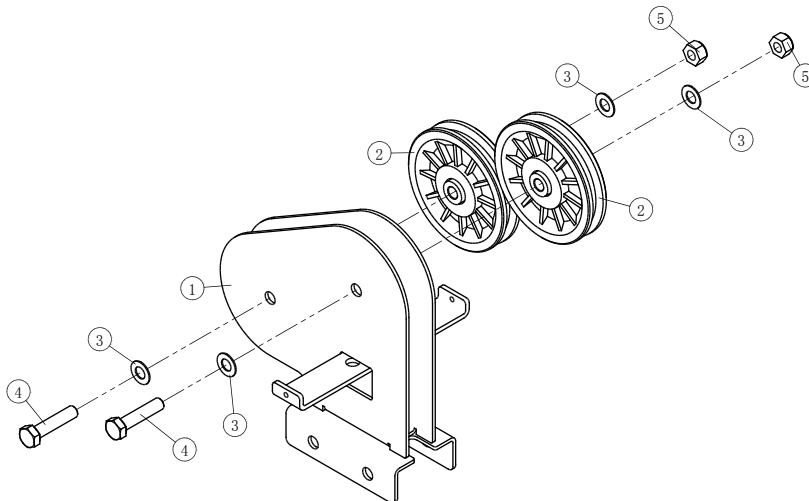
# Exploded View and Parts List

## Left Weight Stack Frame



Item No.	Description	QTY	Item No.	Description	QTY
1.1.1	Left Weight Stack Frame	1	1.1.6	Flat Washer $\Phi 11*\Phi 20*1$	6
1.1.2	105mm Pulley	3	1.1.7	Hex Head Bolt M10*45	3
1.1.3	Rubber Foot $\Phi 125$	1	1.1.8	Flat head riveted nuts M8*16.5	4
1.1.4	Plug PT50*100	2	1.1.9	Nylon Lock Nut M10	3
1.1.5	Rubber Foot	2			

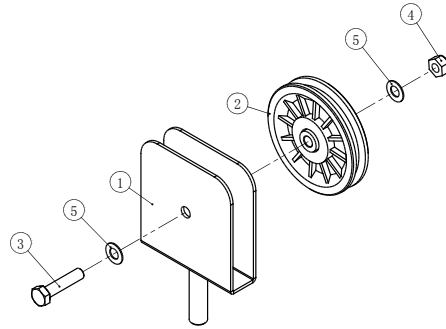
## Pulley frame



Item No.	Description	QTY	Item No.	Description	QTY
1.2.1	Pulley frame	1	1.2.4	Hex Head Bolt M10*45	2
1.2.2	105mm Pulley	2	1.2.5	Nylon Lock Nut M10	2
1.2.3	Flat Washer $\Phi 11*\Phi 20*1$	4			

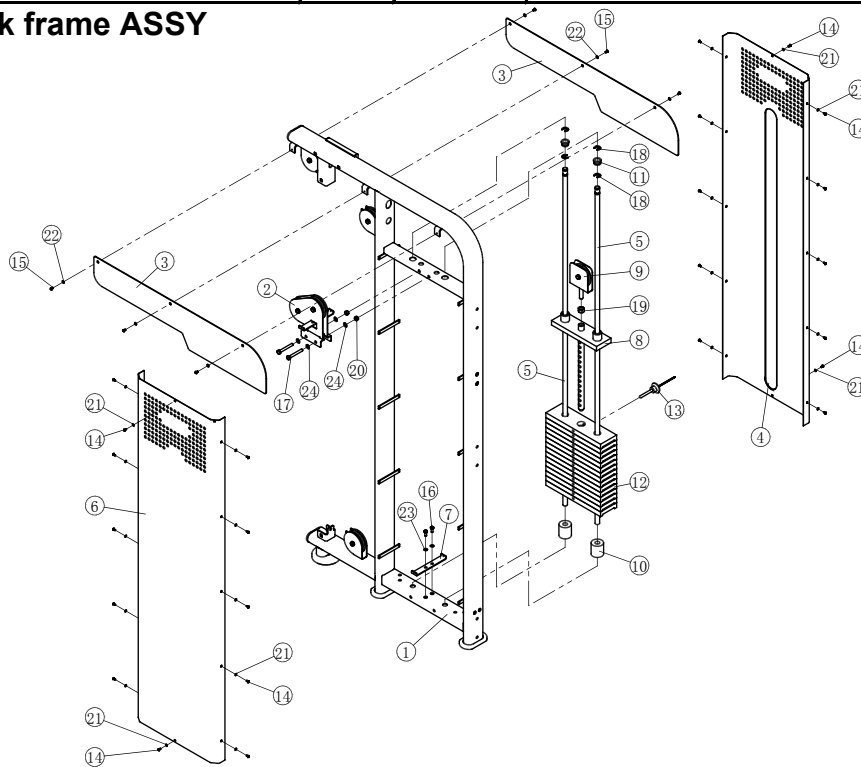
# Exploded View and Parts List

## Fall block



Item	Description	QTY	Item No.	Description	QTY
1.9.1	Fall block	1	1.9.4	Nylon Lock Nut M10	1
1.9.2	105mm Pulley	1	1.9.5	Flat Washer $\Phi 11*\Phi 20*1$	2
1.9.3	Hex Head Bolt M10*45	1			

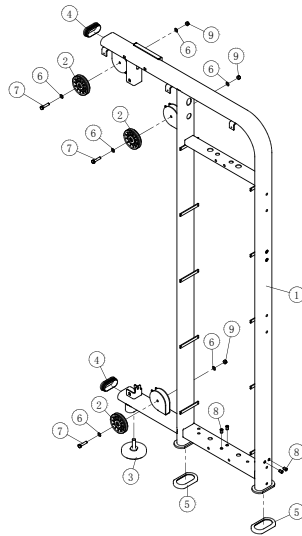
## Right weight stack frame ASSY



Item	Description	QTY	Item No.	Description	QTY
2.1	Right weight stack frame	1	2.13	Pull pin	1
2.2	Pulley frame ASSY	1	2.14	Button Head Cap Screw M5*10	24
2.3	Top hood panel	2	2.15	Button Head Cap Screw M6*10	6
2.4	Guard plate	1	2.16	Hex Head Bolt M8*20	2
2.5	Guide rod	2	2.17	Hex Head Bolt M10*80	2
2.6	After the shield	1	2.18	Open ring $\Phi 15$	4
2.7	Connection plate	1	2.19	Hexagon nut M16	1
2.8	Top plate	1	2.20	Nylon Lock Nut M10	2
2.9	Fall block ASSY	1	2.21	Flat Washer $\Phi 5.3*\Phi 10*1$	24
2.10	Weight rubber bumper	2	2.22	Flat Washer $\Phi 6.6*\Phi 12*1$	6
2.11	Rubber sleeve	2	2.23	Flat Washer $\Phi 9*\Phi 16*1$	2
2.12	Weight plate	15	2.24	Flat Washer $\Phi 11*\Phi 20*1$	4

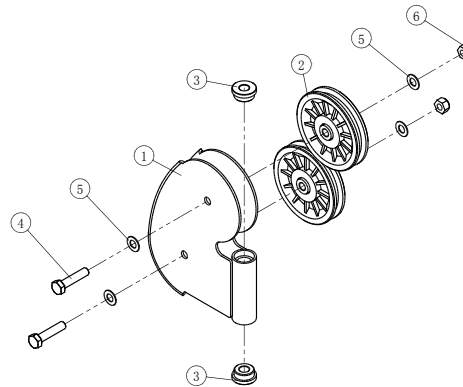
# Exploded View and Parts List

## Right weight stack frame



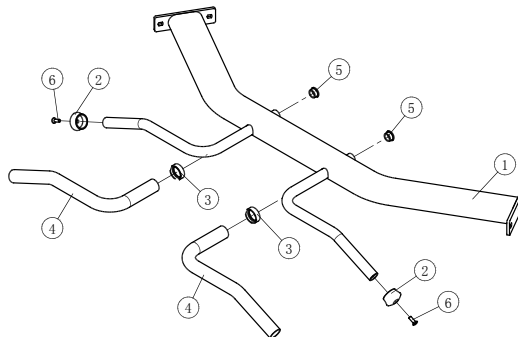
Item No.	Description	QTY	Item No.	Description	QTY
2.1.1	Right weight stack frame	1	2.1.6	Flat Washer $\Phi 11*\Phi 20*1$	6
2.1.2	105mm Pulley	3	2.1.7	Hex Head Bolt M10*45	3
2.1.3	Rubber Foot $\Phi 125$	1	2.1.8	Flat head riveted nuts M8*16.5	4
2.1.4	Plug PT50*100	2	2.1.9	Nylon Lock Nut M10	3
2.1.5	Rubber Foot	2			

## Double Pulley Frame



Item No.	Description	QTY	Item No.	Description	QTY
3.1	Double Pulley Frame	1	3.4	Hex Head Bolt M10*45	2
3.2	105mm Pulley	2	3.5	Flat Washer $\Phi 11*\Phi 20*1$	4
3.3	Bush $\Phi 30*\Phi 12.5$	2	3.6	Nylon Lock Nut M10	2

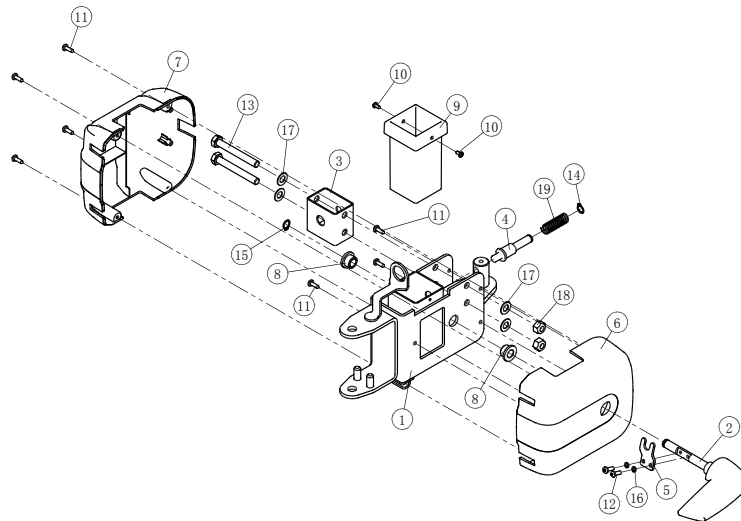
## Armrest frame



Item No.	Description	QTY	Item No.	Description	QTY
7.1	Armrest frame	1	7.4	Grip	2
7.2	Grip Cap	2	7.5	Cap $\Phi 30$	2
7.3	Grip Ring	2	7.6	Flat Head Cap Screw M8*25	2

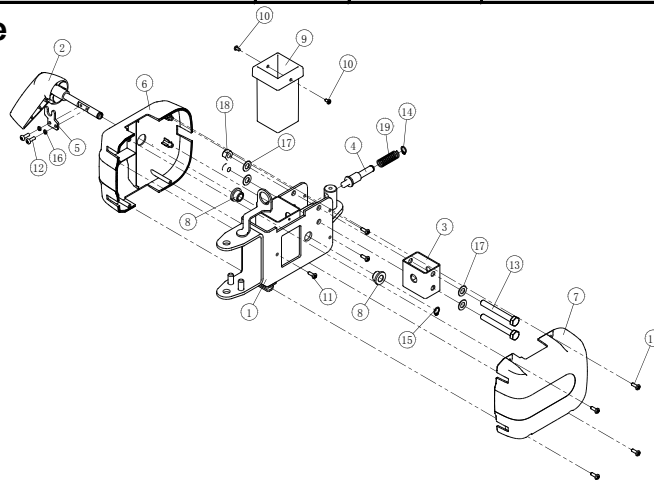
# Exploded View and Parts List

## Left to adjust frame



Item No.	Description	QTY	Item No.	Description	QTY
8.1	Left to adjust frame	1	8.11	Screw ST4.8*16	7
8.2	Adjust the handle L	1	8.12	Cross recess head screw M5*15	2
8.3	Supporting tube	1	8.13	Hex Head Bolt M10*80	2
8.4	Pin	1	8.14	External circlips $\Phi 11$	1
8.5	Adjust the piece	1	8.15	External circlips $\Phi 12$	1
8.6	Adjust the cover A	1	8.16	Spring washer $\Phi 5$	2
8.7	Adjust the cover B	1	8.17	Flat Washer $\Phi 11*\Phi 20*1$	4
8.8	Bush $\Phi 25*\Phi 12.2$	2	8.18	Nylon Lock Nut M10	2
8.9	Casing	1	8.19	Spring	1
8.10	Screw ST4.2*10	2			

## Right to adjust frame



Item No.	Description	QTY	Item No.	Description	QTY
9.1	Right to adjust frame	1	9.11	Screw ST4.8*16	7
9.2	Adjust the handle R	1	9.12	Cross recess head screw M5*15	2
9.3	Supporting tube	1	9.13	Hex Head Bolt M10*80	2
9.4	Pin	1	9.14	External circlips $\Phi 11$	1
9.5	Adjust the piece	1	9.15	External circlips $\Phi 12$	1
9.6	Adjust the cover A	1	9.16	Spring washer $\Phi 5$	2
9.7	Adjust the cover B	1	9.17	Flat Washer $\Phi 11*\Phi 20*1$	4
9.8	Bush $\Phi 25*\Phi 12.2$	2	9.18	Nylon Lock Nut M10	2
9.9	Casing	1	9.19	Spring	1
9.10	Screw ST4.2*10	2			

# Exploded View and Parts List

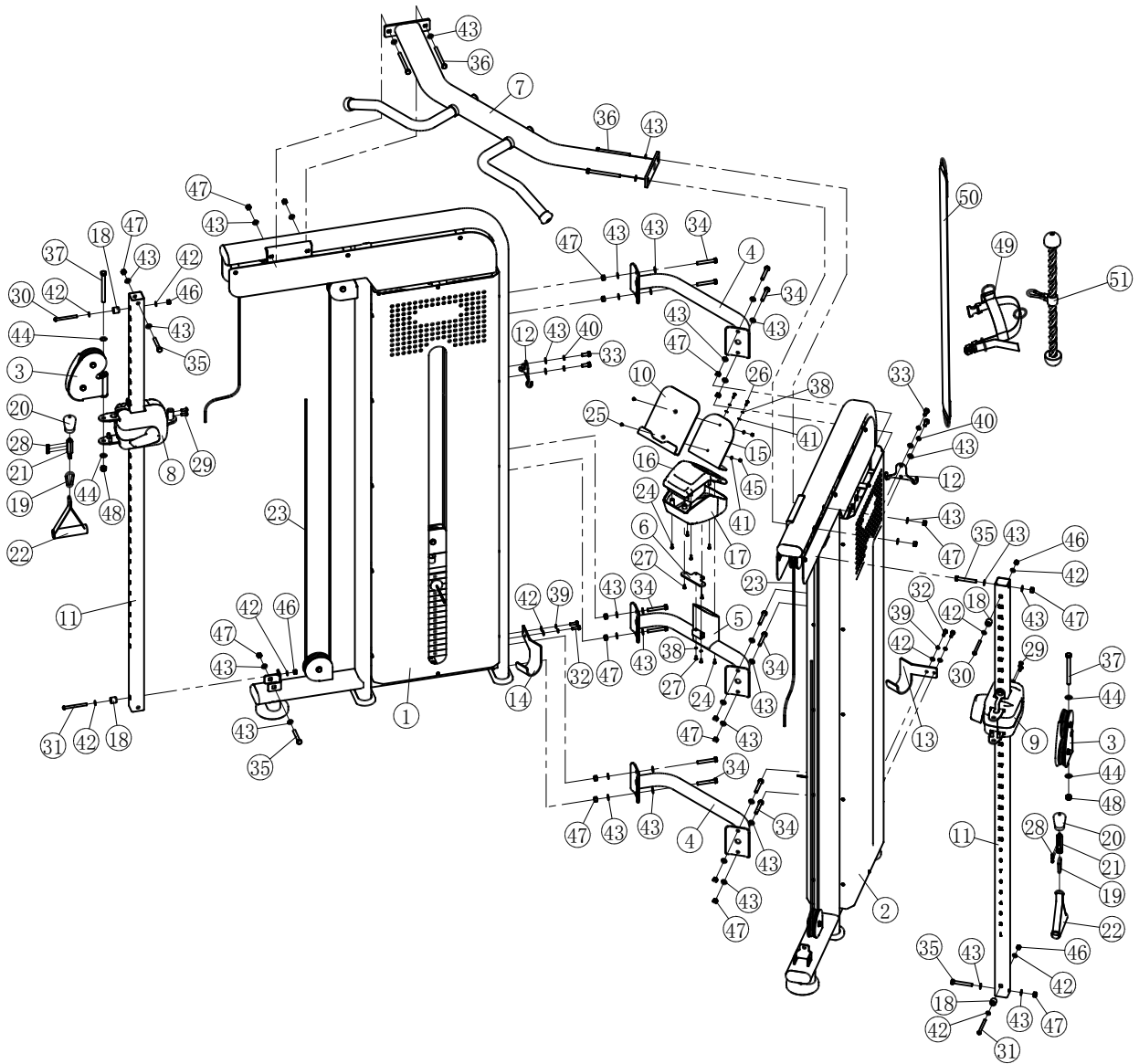
## Overall

Item No.	Description	QTY	Item No.	Description	QTY
1	Left Cage Overall ASSY	1	27	Cross recess head screw M5*12	4
2	Right Cage Overall ASSY	1	28	Set screw M8*10	6
3	Double Pulley Frame ASSY	2	29	Button Head Cap Screw M8*20	4
4	After the connection frame	2	30	Button Head Cap Screw M8*85	2
5	Cup support frame	1	31	Button Head Cap Screw M8*90	2
6	Fixed plate	1	32	Hex Head Bolt M8*25	4
7	Armrest frame ASSY	1	33	Hex Head Bolt M10*25	4
8	Left to adjust frame ASSY	1	34	Hex Head Bolt M10*70	12
9	Right to adjust frame ASSY	1	35	Hex Head Bolt M10*75	4
10	Stowage plate	1	36	Hex Head Bolt M10*125	4
11	Guide rod	2	37	Hex Head Bolt M12*130	2
12	Hook	2	38	Spring washer $\Phi 5$	4
13	Right support plate	1	39	Spring washer $\Phi 8$	4
14	Left support plate	1	40	Spring washer $\Phi 10$	4
15	support plate	1	41	Flat Washer $\Phi 5.3 \times \Phi 10 \times 1$	4
16	Cup holder Top Cover	1	42	Flat Washer $\Phi 9 \times \Phi 16 \times 1$	12
17	Cup holder Under Cover	1	43	Flat Washer $\Phi 11 \times \Phi 20 \times 1$	44
18	Stop Collar	4	44	Flat Washer $\Phi 13 \times \Phi 24 \times 1$	4
19	Gourd hook	2	45	Nylon Lock Nut M5	2
20	Limit ball	2	46	Nylon Lock Nut M8	4
21	Flat Pin	2	47	Nylon Lock Nut M10	20
22	Hand Grip	2	48	Nylon Lock Nut M12	2
23	Cable	2	49	Stretch curved legs set	1
24	Screw ST4.8*16	5	50	Auxiliary tension band	1
25	Flat Head Cap Screw M5*10	2	51	Tension rope	1
26	Button Head Cap Screw M5*15	2			



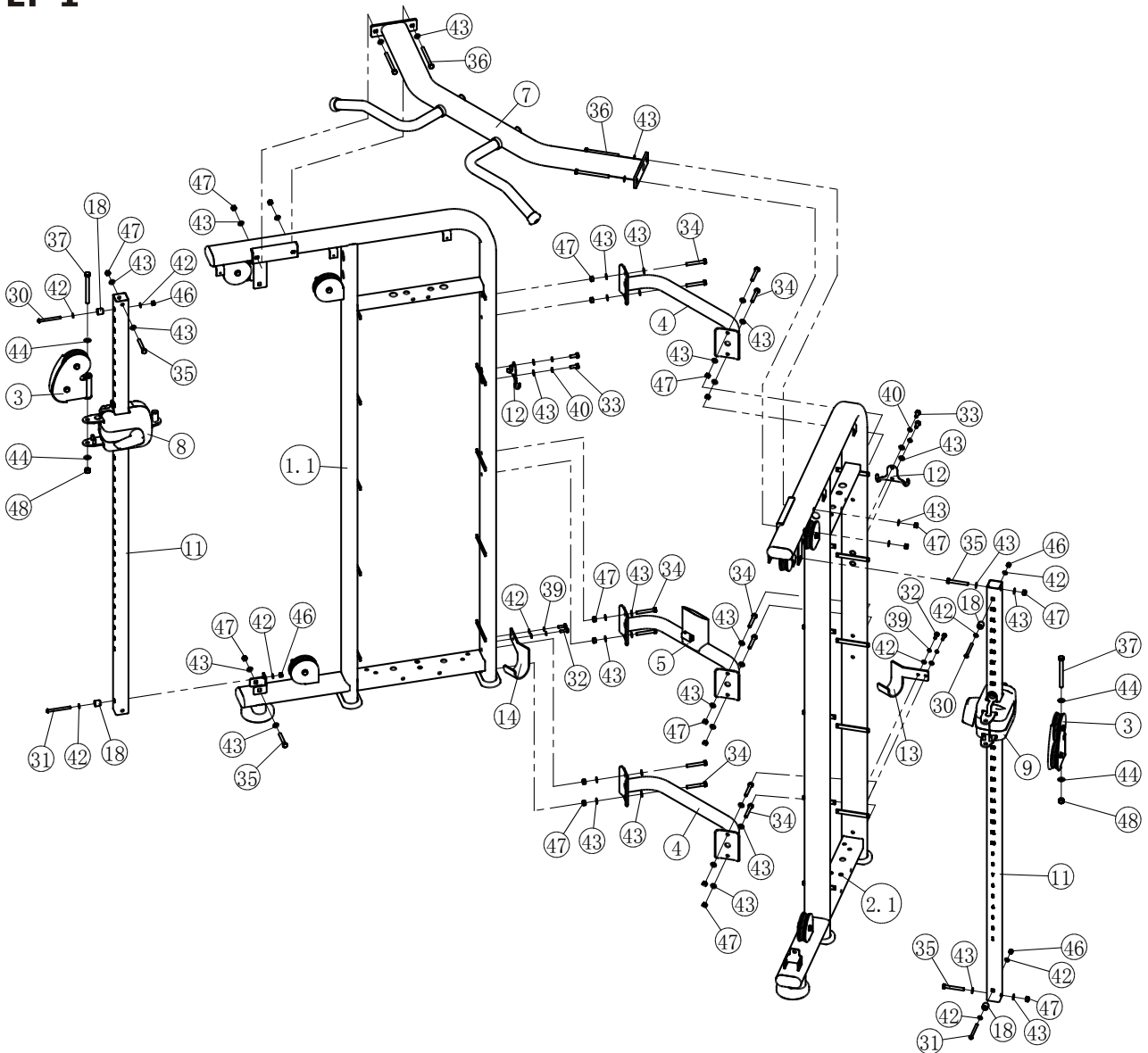
# Exploded View and Parts List

## Overall



# Assembly

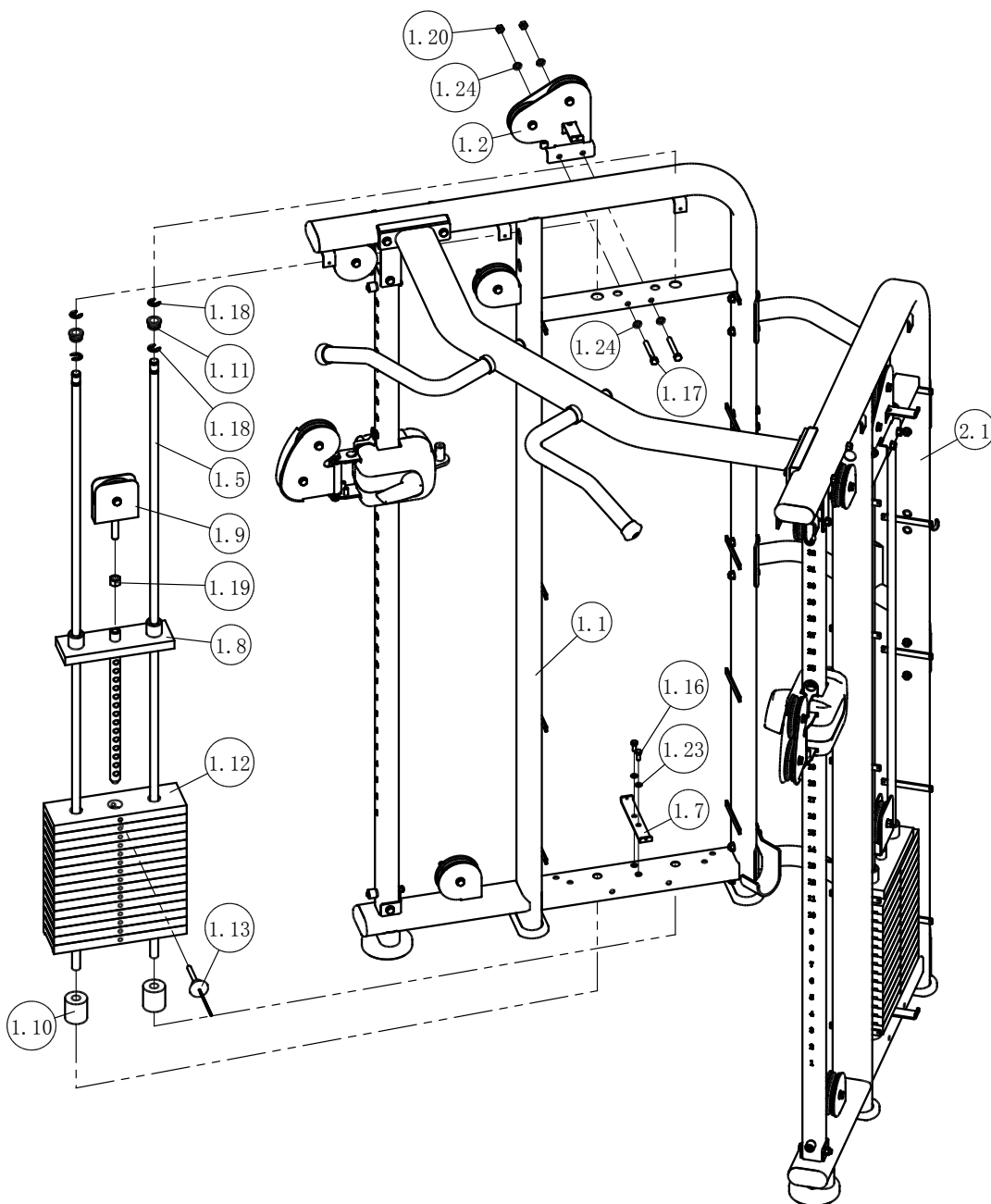
## STEP 1



Item No.	Description	QTY	Item No.	Description	QTY
1.1	Left weight stack frame ASSY	1	32	Hex Head Bolt M8*25	4
2.1	Right weight stack frame ASSY	1	33	Hex Head Bolt M10*25	4
3	Double Pulley Frame ASSY	2	34	Hex Head Bolt M10*70	12
4	After the connection frame	2	35	Hex Head Bolt M10*75	4
5	Cup support frame	1	36	Hex Head Bolt M10*125	4
7	Armrest frame ASSY	1	37	Hex Head Bolt M12*130	2
8	Left to adjust frame ASSY	1	39	Spring washer $\Phi 8$	4
9	Right to adjust frame ASSY	1	40	Spring washer $\Phi 10$	4
11	Guide rod	2	42	Flat Washer $\Phi 9*\Phi 16*1$	12
12	Hook	2	43	Flat Washer $\Phi 11*\Phi 20*1$	44
13	Right support plate	1	44	Flat Washer $\Phi 13*\Phi 24*1$	4
14	Left support plate	1	46	Nylon Lock Nut M8	4
18	Stop Collar	4	47	Nylon Lock Nut M10	20
30	Button Head Cap Screw M8*85	2	48	Nylon Lock Nut M12	2
31	Button Head Cap Screw M8*90	2			

# Assembly

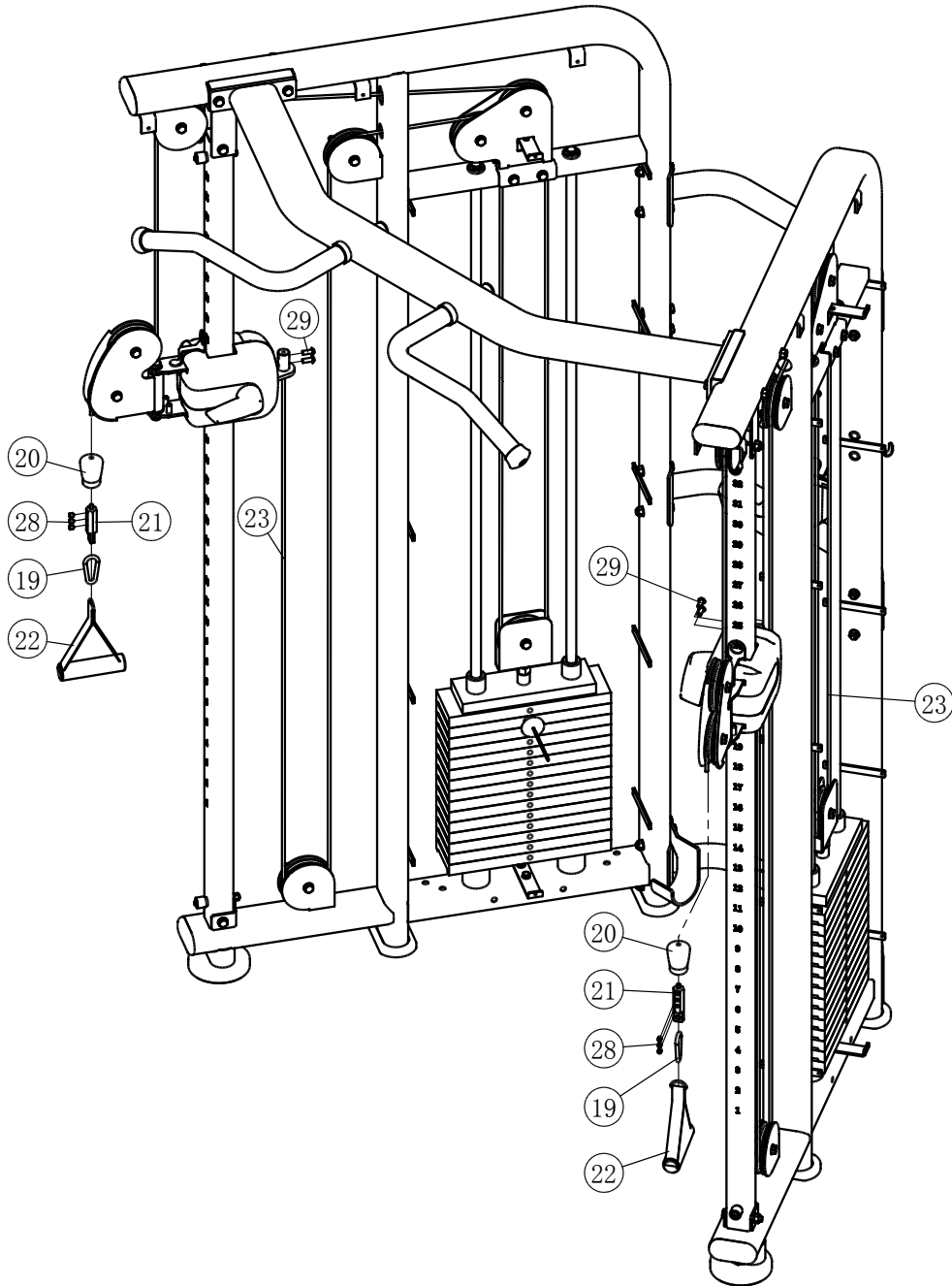
## STEP 2



Item No.	Description	QTY	Item No.	Description	QTY
1.1	Left weight stack frame ASSY	1	1.12	Weight plate	30
2.1	Right weight stack frame ASSY	1	1.13	Pull pin	2
1.2	Pulley frame ASSY	2	1.16	Hex Head Bolt M8*20	4
1.5	Guide rod	4	1.17	Hex Head Bolt M10*80	4
1.7	Connection plate	2	1.18	Open ring $\phi$ 15	8
1.8	Top plate	2	1.19	Hexagon nut M16	2
1.9	Fall block ASSY	2	1.20	Nylon Lock Nut M10	4
1.10	Weight rubber bumper	4	1.23	Flat Washer $\Phi$ 9* $\Phi$ 16*1	4
1.11	Rubber sleeve	4	1.24	Flat Washer $\Phi$ 11* $\Phi$ 20*1	8

# Assembly

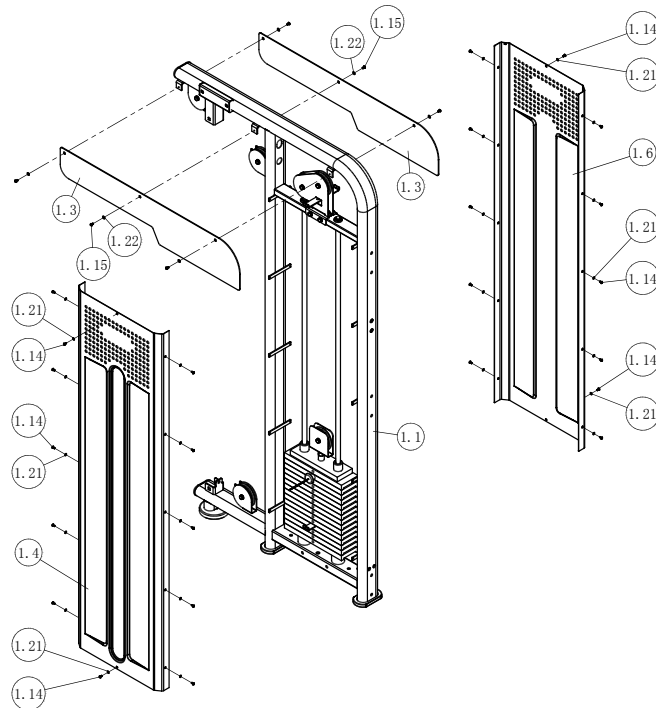
## STEP 3



Item No.	Description	QTY	Item No.	Description	QTY
19	Gourd hook	2	23	Cable	2
20	Limit ball	2	28	Set screw M8*10	6
21	Flat Pin	2	29	Button Head Cap Screw M8*20	4
22	Hand Grip	2			

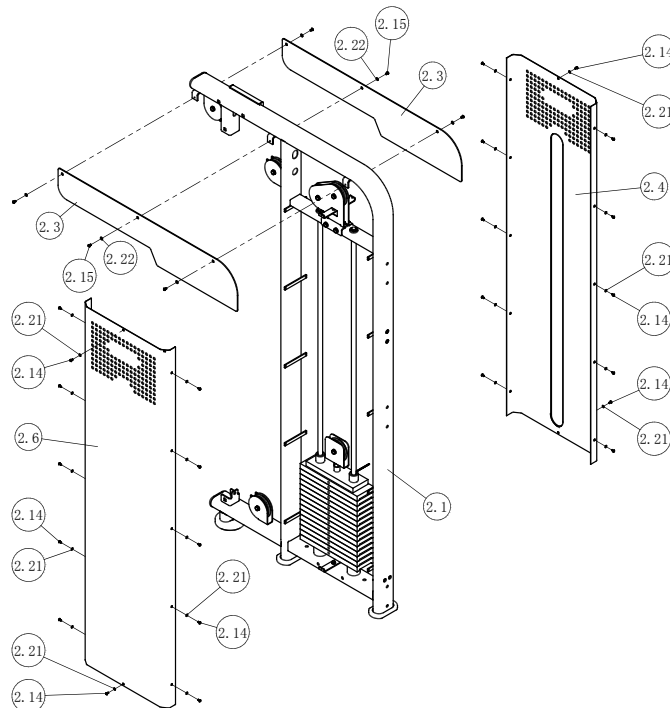
# Assembly

## STEP 4 Left



Item No.	Description	QTY	Item No.	Description	QTY
1.1	Left weight stack frame ASSY	1	1.14	Button Head Cap Screw M5*10	24
1.3	Top hood panel	2	1.15	Button Head Cap Screw M6*10	6
1.4	Guard plate	1	1.21	Flat Washer $\Phi 5.3 \times \Phi 10 \times 1$	24
1.6	After the shield	1	1.22	Flat Washer $\Phi 6.6 \times \Phi 12 \times 1$	6

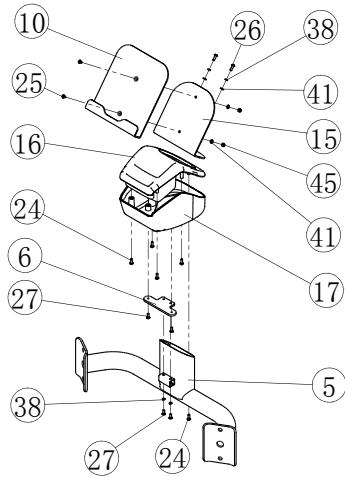
## STEP 4 Right



Item No.	Description	QTY	Item No.	Description	QTY
2.1	Right weight stack frame ASSY	1	2.14	Button Head Cap Screw M5*10	24
2.3	Top hood panel	2	2.15	Button Head Cap Screw M6*10	6
2.4	Guard plate	1	2.21	Flat Washer $\Phi 5.3 \times \Phi 10 \times 1$	24
2.6	After the shield	1	2.22	Flat Washer $\Phi 6.6 \times \Phi 12 \times 1$	6

# Assembly

## STEP 5



Item No.	Description	QTY	Item No.	Description	QTY
5	Cup support frame	1	24	Screw ST4.8*16	5
6	Fixed plate	1	25	Flat Head Cap Screw M5*10	2
10	Stowage plate	1	27	Cross recess head screw M5*12	4
15	support plate	1	38	Spring washer $\Phi 5$	4
16	Cup holder Top Cover	1	41	Flat Washer $\Phi 5.3 * \Phi 10 * 1$	4
17	Cup holder Under Cover	1	45	Nylon Lock Nut M5	2



GARLANDO SPA  
Via Regione Piemonte, 32 - Zona Industriale D1  
15068 - Pozzolo Formigaro (AL) - Italy  
[www.toorx.it](http://www.toorx.it) - [info@toorx.it](mailto:info@toorx.it)